

ENGLISH - *Traffic light with three lights*

ITALIANO - *Semaforo a tre luci*

DEUTSCH - *Ampel mit drei Lichtern*

ESPAÑOL - *Semáforo con tres luces*

FRANCAIS - *Feux à trois lumières*



Instruction - Istruzioni - Anleitungen - Instrucciones

(EN) TECHNICAL DATA SHEET

Power supply: **230 V a.c.**

Weight: **2,38 Kg.**

Lens color: **Red, green, Yellow.**

Lamp consume: **max 70 W.**

Middle life lamp: **8.000 hours.**

Degree of protection: **IP 65**

(IT) CARATTERISTICHE TECNICHE

Alimentazione elettrica: **230 V a.c.**

Peso: **2,38 Kg.**

Colore lenti: **Rosso, verde, giallo.**

Consumo lampada: **max 70 W.**

Durata media lampada: **8.000 ore.**

Grado di protezione: **IP 65**

(DE) TECHNISCHE EIGENSCHAFTEN

Elektrische Ernährung: **230 V a.c.**

Gewicht: **2,38 Kg.**

Farbe langsam: **Rot, grün, gelb.**

Verbrauche Lampe: **max 70 W.**

Leben vermittelt Lampe: **8.000 Stunden.**

Maß an Schutz: **IP 65**

(FR) CARACTERISTIQUES TECHNIQUES

Alimentation électrique: **230 V a.c.**

Poids: **2,38 Kg.**

Couleur verres: **Rouge, vert, jaune.**

Consommation lampe: **max 70 W.**

Durée moyenne lampe: **8.000 heures.**

Degré de protection: **IP 65**

(ES) CARACTERÍSTICAS TÉCNICAS

Alimentación eléctrica: **230 V a.c.**

Peso: **2,38 Kg.**

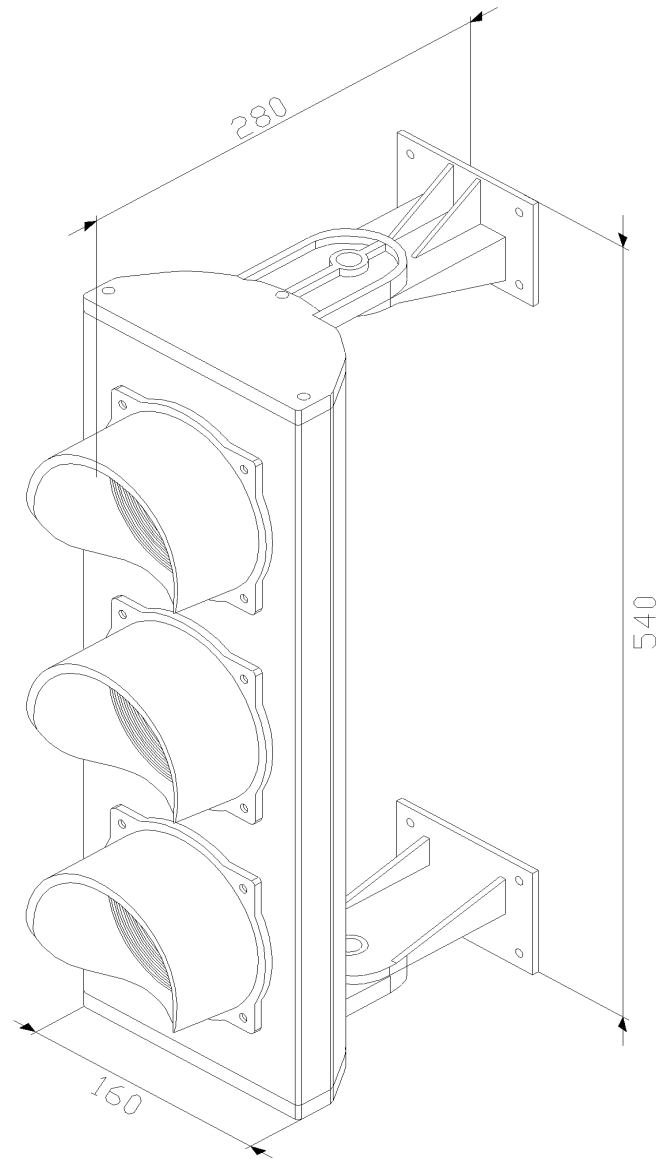
Color lente: **Rojo, verde, amarillo.**

Consumo lámpara: **max 70 W.**

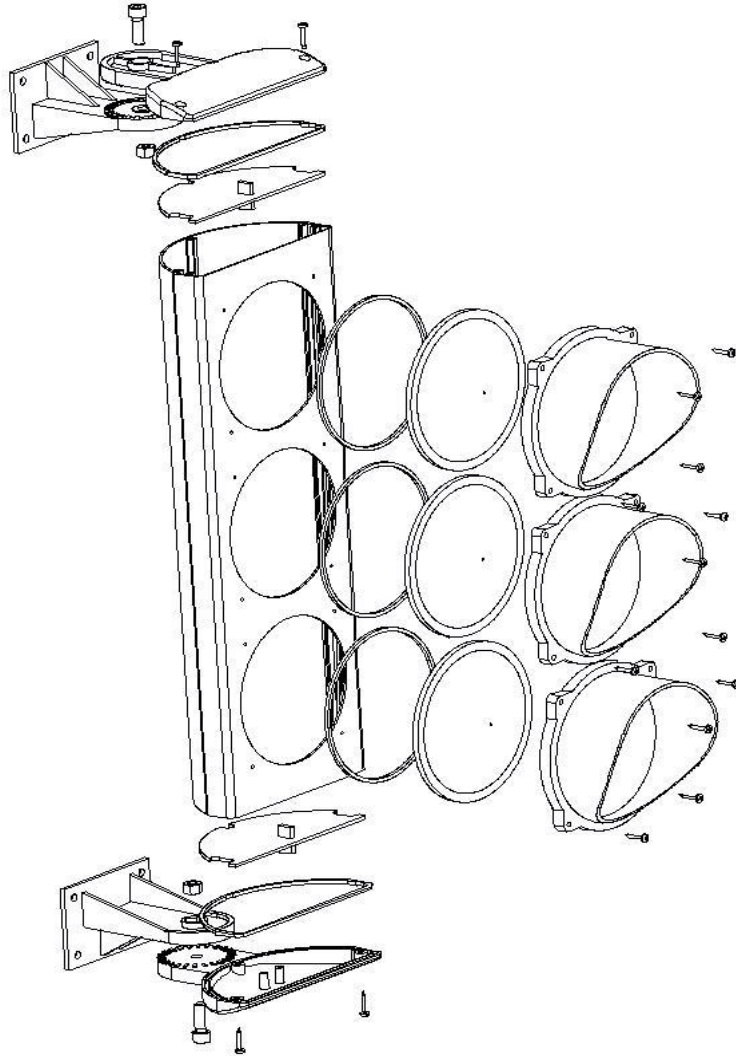
Vida mediana lámpara: **8.000 horas.**

Grado de protección: **IP 65**

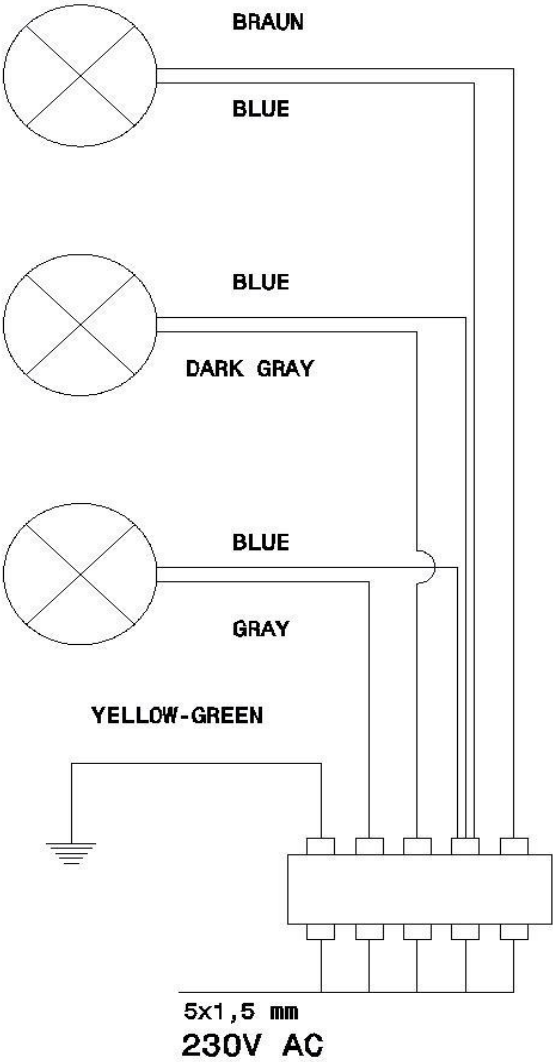
(EN) DIMENSIONS
(IT) DIMENSIONI
(DE) DIMENSIONEN
(FR) DIMENSIONS
(ES) DIMENSIONES



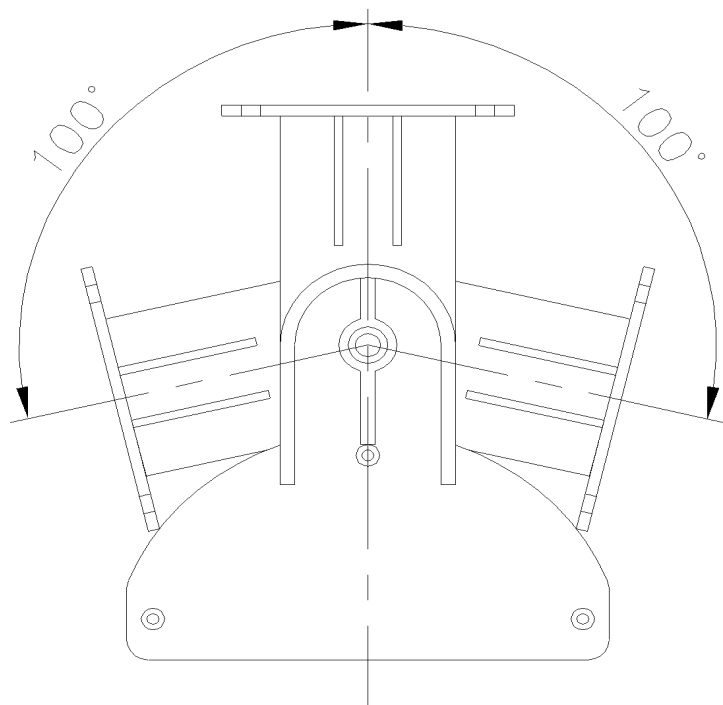
SCHEMA DI ASSEMBLAGGIO
SCHEDULE OF ASSEMBLY



**SCHEMA ELETTRICO
ELECTRICAL DIAGRAM**



(EN) ASSEMBLY POSITIONS
(IT) POSIZIONI DI MONTAGGIO
(DE) POSITIONIERST VON MONTAGE
(FR) POSITIONS D'ASSEMBLAGE
(ES) POSICIONES DE MONTAJE



**(EN) ATTENTION!**

- Before connecting the electrical cables make sure that the power supply is off.
- The traffic lights have to be installed by qualified technical staff only.
- Used vacuum cleaners still contain many recyclable materials. Therefore please take used vacuum cleaners to your retailer or recycling center so that they can be recycled.

**(IT) ATTENZIONE!**

Prima di effettuare i collegamenti assicurarsi che l'alimentazione sia staccata. L'installazione deve essere effettuata da personale qualificato. Gli apparecchi dismessi contengono materiali preziosi. Si consiglia pertanto di restituire l'apparecchio dismesso al proprio rivenditore o presso centro di riciclaggio.

**(DE) ACHTUNG!**

Bevor Sie die Ampel berühren, versichern Sie sich dass die Spannung ausgeschaltet ist. Die Installation darf nur von einem Fachmann ausgeführt werden. Altgeräte enthalten vielfach noch wertvolle Materialien. Geben Sie deshalb Ihr ausgedientes Gerät bei Ihrem Händler bzw. einem Recyclingcenter zur Wiederverwertung ab.

**(FR) ATTENTION!**

Avant d'effectuer les branchements électriques s'assurer que l'alimentation soit débranchée. L'installation ne doit être effectuée que par du personnel qualifié. Les appareils usagés contiennent souvent des matériaux précieux. Remettez donc votre appareil usagé à votre revendeur ou à un centre de recyclage pour la revalorisation.

**(ES) ATENCIÓN!**

Antes de intervenir sobre el dispositivo asegurarse de que la alimentación esté desconectada. La instalación debe ser efectuada para personal cualificado. Los aparatos usados contienen aún muchos materiales valiosos. Por este motivo entregar los aparatos usados en el comercio habitual o en el centro de reciclaje para su reaprovechamiento.

EC DECLARATION OF CONFORMITY FOR MACHINES (DIRECTIVE 2006/42/EC)

Manufacturer: VDS AUTOMAZIONI srl
Address: VIA CIRCOLARE PIP N. 10 65010 SPOLTORE (PE)

Declares that: mod. C0000714

is built to be integrated into a machine or to be assembled with other machinery to create a machine under the provisions of Directive 98/37/EC;

conforms to the essential safety requirements of the following EEC directives:

2006/95/EC Low Voltage Directive
2004/108/EC Electromagnetic Compatibility Directive

and also declares that it is prohibited to put into service the machinery until the machine in which it will be integrated or of which it will become a component has been identified and declared as conforming to the conditions of Directive 2006/42/EEC and subsequent amendments.

July 3, 2018
Technical director

