



**gearmotor for sectional doors  
and overhead spring or  
counterweight up-and-over doors**



# spido

**instructions and warnings for the fitter**

**istruzioni e avvertenze per l'installatore**

**Instructions et recommandations pour l'installateur**

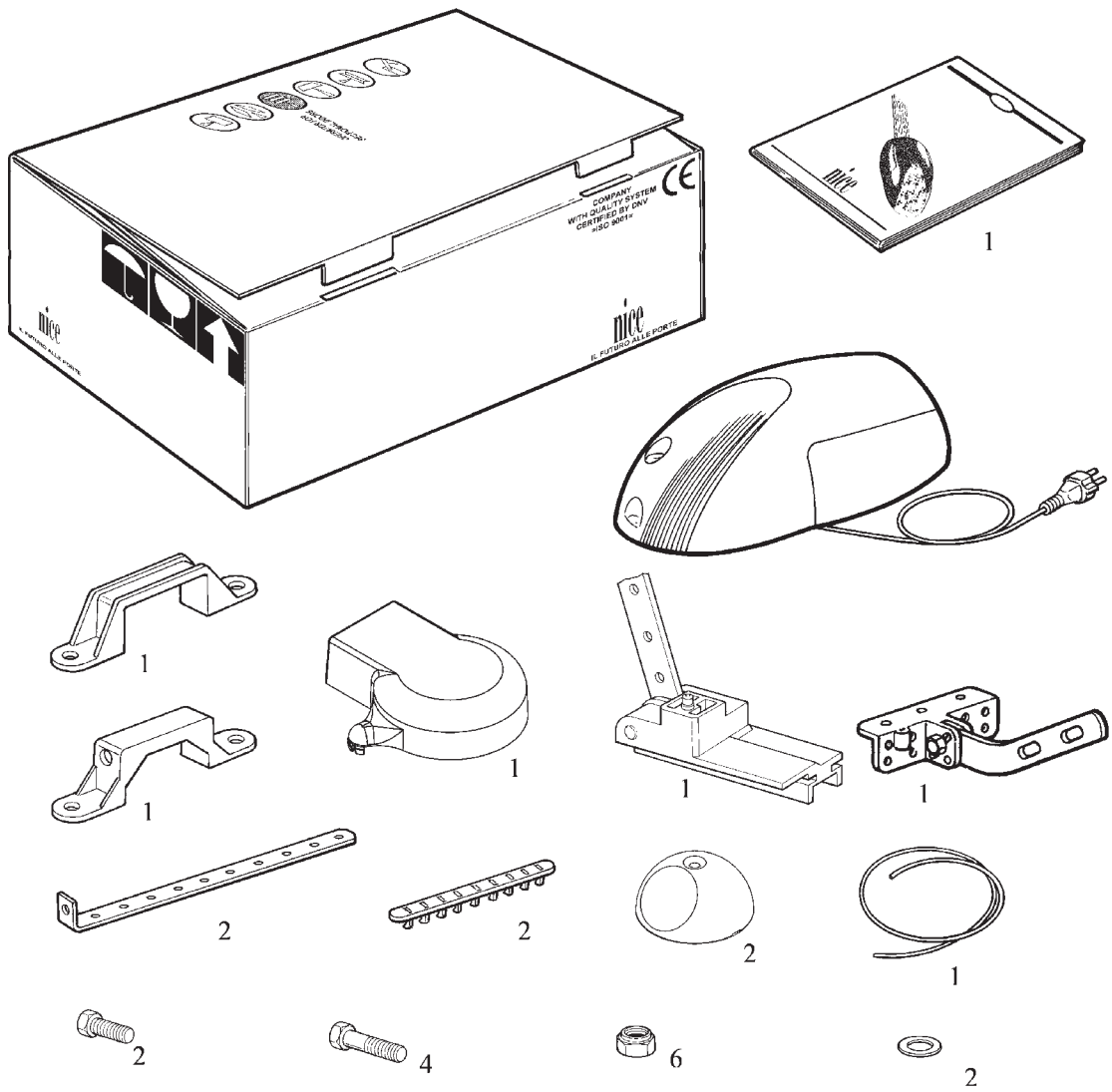
**Anweisungen und Hinweise für den Installateur**

**Instrucciones y advertencias para el instalador**

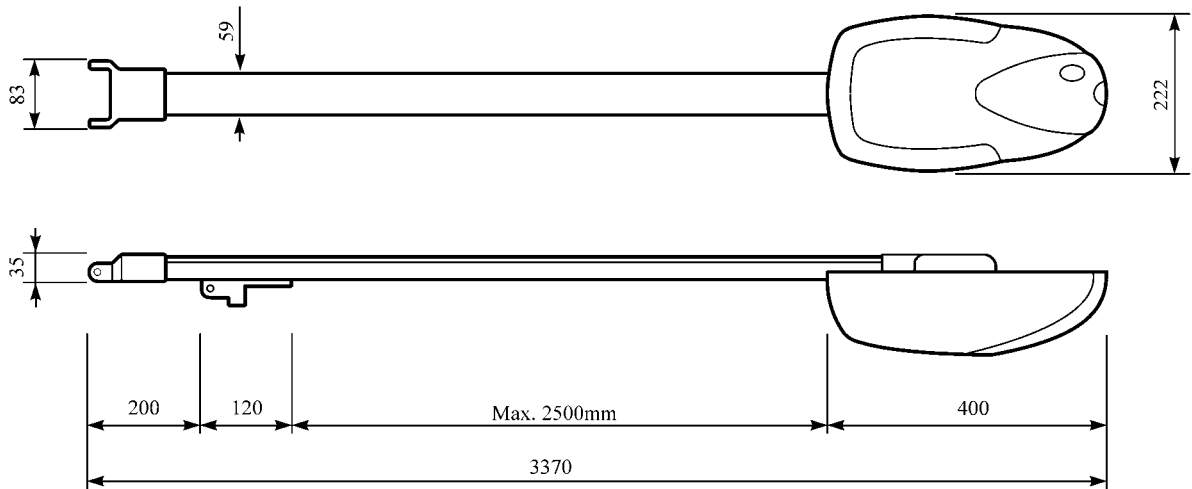
**Instrukcja instalowania**

COMPANY  
WITH QUALITY SYSTEM  
CERTIFIED BY DNV  
=ISO 9001/2000=





1



2

# spido

<b>Table of contents:</b>		<b>page</b>			<b>page</b>
<b>1</b>	Product description	2	<b>4</b>	Testing	4
<b>2</b>	Installation	2	<b>5</b>	Maintenance	4
<b>2.1</b>	Preliminary checks	2	<b>5.1</b>	Disposal	4
<b>2.2</b>	Typical system layout	2	<b>6</b>	Technical specifications	4
<b>2.3</b>	Limits of use	3		<b>Instructions and warnings for users of the SPIDO gear motor</b>	5
<b>2.4</b>	Installing SPIDO	3			
<b>2.5</b>	Adjusting the drive bar	3			
<b>2.6</b>	Fitting the limit switch slides	3			
<b>3</b>	Manual manoeuvre from the inside or release	4			

## Important information

Congratulations on choosing this Nice product. Please read this handbook carefully.

To make these instructions easier to follow, we have, wherever possible, put them in the order in which they will be carried out during the various system installation phases.

Please read these instructions and the attached "Warnings for fitters" file carefully before installing the product as they contain important information concerning safety, installation, use and maintenance.

Anything not expressly specified in these instructions is forbidden. Operations not indicated in these instructions may cause damage to the product, people and property.

Nice declines all liability for badly built sectional doors or any deformations that may occur during use.

Do not install the product in explosive atmospheres.

This product has been designed and produced for automating well-balanced doors that can be opened by hand; it must therefore be possible to completely open the door using a force of less than 150N (15kg) and stop it in any position; after it has been released it must not descend. It is forbidden to touch any mechanical parts (chain, trolley, pinion) while SPIDO is working.

## 1) Product description

SPIDO is an electromechanical actuator for automating the movement of sectional doors and overhead spring or counterweight up-and-over doors. Thanks to its unique profile, installation is quick and easy. The electrical control unit exploits the current sensitivity system to measure the force developed by the motor and offers 5 levels of sensitivity. Manual opening and closing is simple and safe as it releases the door from the drive trolley.

## 2) Installation

### 2.1) Preliminary checks

Before proceeding with the installation of any powered system, check that the structure is suitable, that is, make sure it complies with current standards and that:

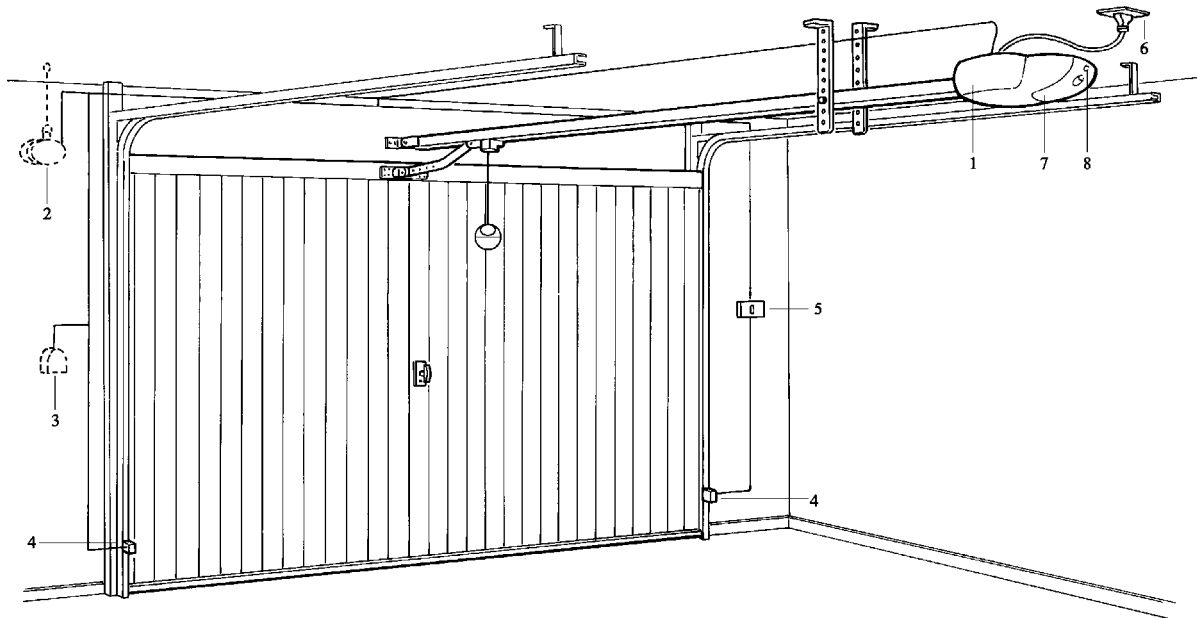
- the door does not stick when opening or closing;
- the door does not require a force of over 150N (15kg) to be moved;
- the door is well balanced, that is, if it stops in any position it remains motionless;
- the door moves silently, smoothly and doesn't skid;

the area identified for fitting the gear motor ensures the manual manoeuvre can be made easily and safely; please remember that SPIDO must power a door (sectional, overhead spring or counterweight up-and-over) which must be in good condition and safe; it cannot make up for defects caused by incorrect installation or bad maintenance.

the packaging is undamaged, please see **fig. 1**;  
referring to **fig. 2**, check that the fixing area is compatible with the size of the gear motor.

**Fig. 3** shows a typical installation of SPIDO.

### 2.2) Typical system layout



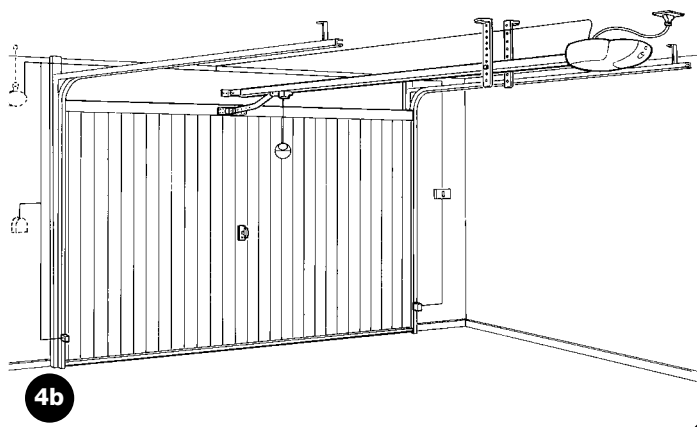
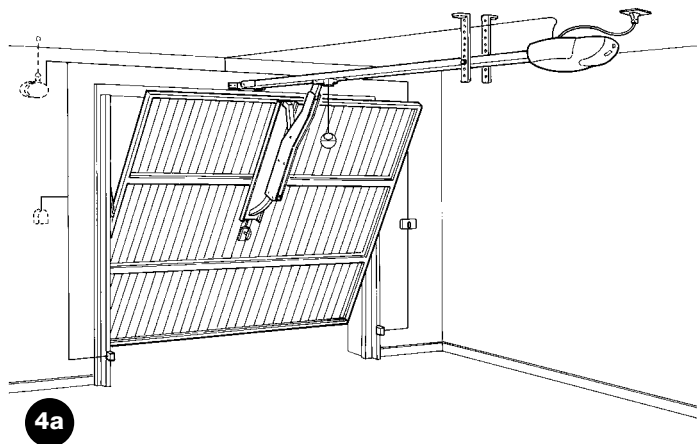
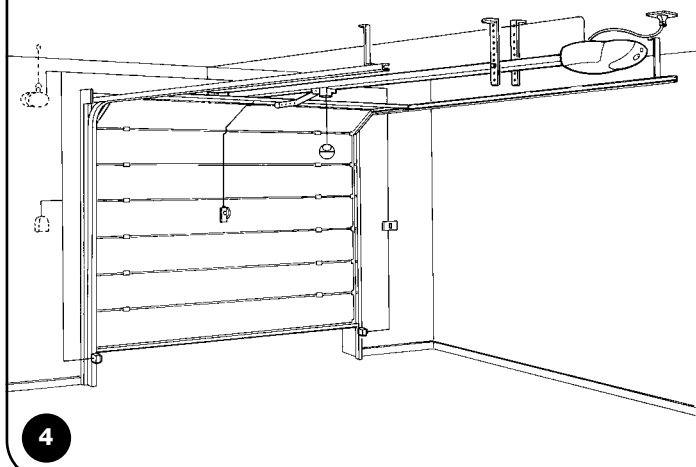
1. SPIDO
2. 24Vdc flashing lamp
3. Digital keypad switch
4. Pair of photocells
5. Internal push button strip
6. Schuko socket
7. 24V light bulb max. 25W
8. "Step-by-step" button

## 2.3) Limits of use

Sectional door (Max. H = 2400 mm) **(fig. 4)**

Counterweight up-and-over door (Max. H = 2400 mm) **(fig. 4a)**

Overhead spring up-and-over door (Max. H = 2600 mm) **(fig. 4b)**



## 2.4) Installing SPIDO

1. Connect the draw bar (27) to the curved bar (61) **(Fig. 5)**;
2. Thread the cord (24) into the unthreaded hole of the release pin and keep it flush at the other end;
3. Tie the two ends together after passing them through the hole in the knob (25);
4. Insert the guide support bracket (32) into the chain tightening device and fix it with the screw (48) and the nut (17) **(Fig. 6)**;
5. Insert the slide (23) into the end of the profile **(Fig. 7)**;
6. Insert the screws (35) into the two slots of the profile **(Fig. 8)**;
7. Insert the profile by passing the chain over the motor pinion and block it with the bracket (33) using two screws (44) **(Fig. 9)**;
8. Tighten the chain slightly **(Fig. 10)**;
9. Fix SPIDO to the frame of the door (recommended choice) or to the wall with rivets or expansion grips keeping a distance of between 30mm and 350mm from the maximum travel of the door **(Fig. 11)**;
10. Check the measurements for drilling the holes, insert and block the support brackets (18) and fix SPIDO to the ceiling. Cut the excess part of the bracket **(Fig. 12)**.

## 2.5) Adjusting the drive bar

In order to ensure fine adjustment in the closing manoeuvre, loosen the bolts of the drive bar with a 10mm wrench and adjust the travel using the two slots or, if necessary, completely unscrewing the bolts and changing the fixing position **(Fig. 13)**.

**⚠ Thoroughly tighten all the screw connections.**

## 2.6) Fitting the limit switch slides

**⚠ The limit switch slides may only be inserted when the motor has stopped.**

To fix the limit switch slides, follow the instructions referring to the "electrical control unit".

### 3) Manual manoeuvre from inside or release

**⚠ The manual manoeuvre must be made exclusively with the door stopped and after disconnecting power from the electrical control unit.**

1. Pull the knob downwards and push the door (**Fig. 14**);
2. Turn the handle and push the door (**Fig. 15**).

### 4) Testing

The whole system must be tested by qualified and expert staff who must perform the tests required, according to the level of risk. To test SPIDO, proceed as follows:

- close the door;
  - disconnect the power supply;
  - release the gear motor;
  - check that the slide way is clean and free from debris;
  - completely open the door manually making sure to always exercise a force of less than 150N (15kg);
  - check that the door does not stick when moving;
  - check that when the door is stopped at any point and released it remains motionless;
- check that the safety systems are in good condition;
  - check that the screw connections are perfectly tight;
  - check the chain is taut and that it slides well, lubricate if necessary;
  - after carrying out the above checks, block the gear motor and power the control unit.
  - adjust (from the electronic control unit) current sensitivity so that it can move just the door;
  - measure the force of impact as required by EN12445 and EN12453 standards.

### 5) Maintenance

SPIDO does not require any special maintenance during its lifetime, but a scheduled control at least every 6 months will not only ensure that the gear motor lasts longer but also that the system works correctly and safely.

Maintenance may only be performed by qualified staff.  
**Maintenance involves repeating the test procedure.**

#### 5.1) Disposal

SPIDO comprises various types of materials which must be disposed of in compliance with the laws of the country of installation.

There are no particular dangers or risks deriving from demolition of the system. If waste sorting is required, the components should be grouped by type of material (electrical, aluminium, plastic, etc.).

### 6) Technical specifications

		SP6000 230V ~	SP6000 110V ~
Power input	(Vac)	230	110
Line absorption	(A)	0,65	1,3
Max. absorbed power	(W)		150
Speed	(m/s)		0,15
Travel Y	(mm)		2500
Max. thrust	(N)		650
Max. traction	(N)		700
Operating temperature	(°C)		-20 ÷ +50
Work cycles	(%)		30
Weight of motor (with profile)	(kg)		12
Protection level	(IP)		40



GB

**gearmotor for sectional doors  
and overhead spring or  
counterweight up-and-over doors**



# spido

## **Instructions and warnings for users of the SPIDO gear motor**

**Congratulations** on choosing a Nice product for your automation system!

Nice S.p.A. produces components for automating gates, doors, shutters and awnings: gear motors, control units, radio control units, flashing lights, photocells and accessories.

Nice only uses first rate materials and production processes and constantly develops innovative technical, aesthetic and ergonomic solutions in order to make its products as simple to use as possible: your fitter will certainly have chosen the most suitable article for your requirements from the large range of Nice products.

Nice however, is not the producer of your automated system as this is the result of a process of analysis, evaluation, choice of materials and installation performed by your fitter.

Each automated system is unique and only your fitter has the experience and professionalism required to create a system that is tailor-made to your requirements, featuring long-term safety and reliability, and, above all, professionally installed and compliant with current regulations.

An automated system is handy to have as well as being a valid security system. Just a few, simple operations are required to ensure it lasts for years.

Even if your automated system satisfies regulatory safety levels, this does not eliminate "residue risks", that is, the possibility of dangerous situations being generated, usually due to irresponsible or incorrect use. For this reason we would like to give you some suggestions on how to avoid these risks:

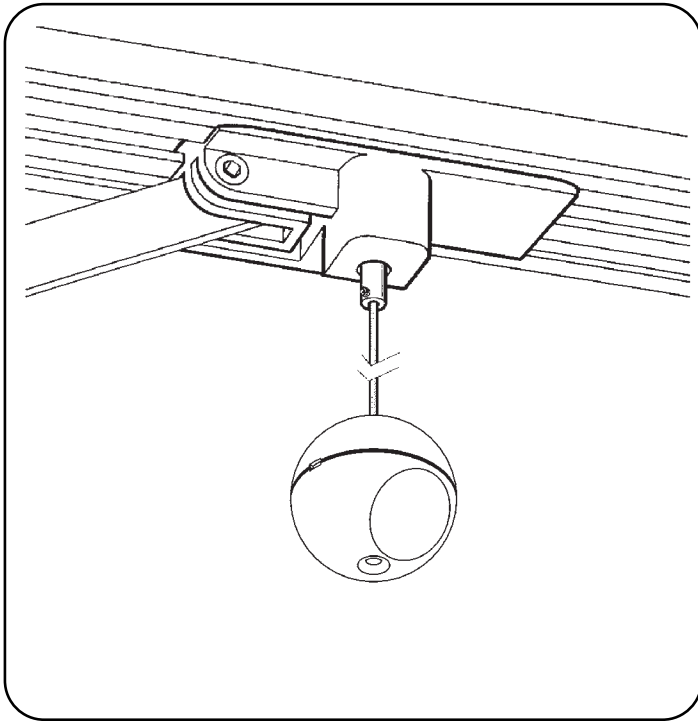
- **Before using your automated system for the first time**, ask your fitter to explain how residue risks can arise and spend a few minutes reading the **instructions and warnings for the user** handbook that the fitter will have given you. Keep this manual for future use and, if you should ever sell your automated system, hand it over to the new owner.
- **Your automated system is a machine which carries out your commands to the letter**; irresponsible or incorrect use may cause it to become dangerous: do not move the automated system if animals or objects are in its working radius.

COMPANY  
WITH QUALITY SYSTEM  
CERTIFIED BY DNV  
=ISO 9001/2000=

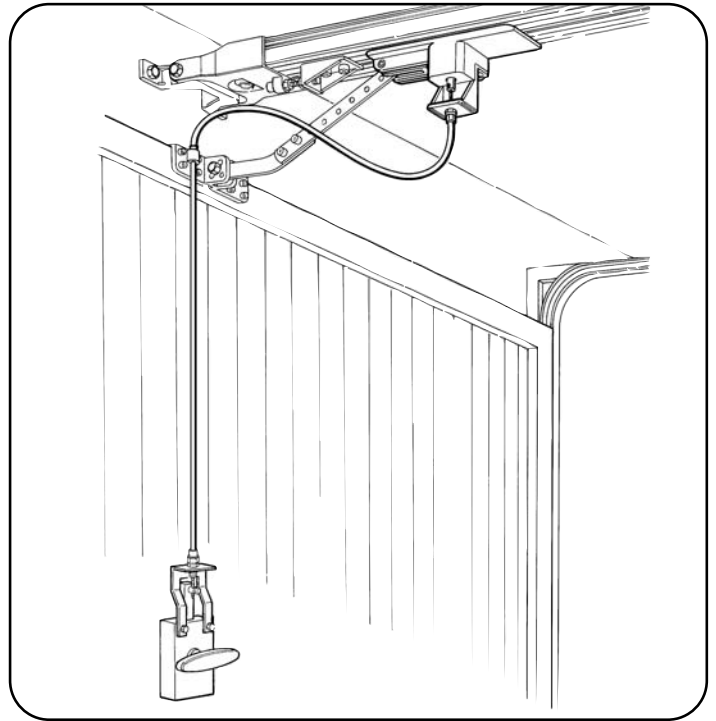


**Nice**

- **Children:** an automated system ensures a high level of safety as it always offers reliable and safe operation and its detection systems stop it from moving in the presence of people or objects. However, children should not be allowed to play near it. Do not let them accidentally use the system by leaving the remote control unit within their reach: **it is not a toy!**
- **Faults.** If you notice any abnormal behaviour, disconnect the system from the electricity supply immediately and perform the manual release operation. Do not attempt to make repairs yourself but call in your fitter: in the meantime the system can work as a non-automated gate once the gear motor has been released as described further on.
- **Maintenance.** Just like all machines, your automated system requires periodic maintenance to ensure it works as long as possible and in total safety. Agree on a routine maintenance plan with your fitter; Nice recommends a visit once every six months for normal residential use but this period can vary depending on how often the system is used.  
All controls, maintenance work or repairs may only be carried out by qualified personnel.
- Do not modify the system or its programming and adjustment parameters even if you think you can do it: your fitter is responsible for this.
- **Final testing, routine maintenance and any repairs** must be documented by the fitter and such documents kept by the owner of the system.
- **Disposal.** At the end of the life of the automatic system, make sure that it is demolished by qualified personnel and that the materials are recycled or disposed of according to local regulations.
- **In case of breakage** or during a power failure. While waiting for your fitter to call (or power to come on again if the system does not have buffer batteries), the system can be used just like any other manual opening system. To do this, perform the manual release operation: this can be done by the user and Nice has made it as easy as possible, without the need for tools or physical effort.



Pull the knob downwards and push the door.



Turn the handle and push the door.

**⚠ The manual manoeuvre must be made exclusively with the door stopped and after disconnecting power from the electrical control unit.**

**Important:** if the radio control unit (if supplied) starts working badly after a time, or does not work at all, the batteries may be flat (They can last from several months to two/three years depending on the type). You can notice this from the fact that the transmission OK LED is faint, doesn't light up at all, or lights up for just a moment. Before contacting your fitter, try exchanging the battery with that of another transmitter you know that works: if this is the reason for the fault, just replace the battery with another one of the same kind.

**Are you satisfied?** If you wish to add a new automated system to your house, contact your fitter and we at Nice will provide the advice of a specialist, the most developed products on the market, leading-edge operativeness and maximum compatibility.

Thank you for reading these suggestions and we trust you are fully satisfied with your new system: please contact your fitter for all your current or future requirements.



# spido

Indice:	pag.	pag.
<b>1</b>	Descrizione del prodotto	8
<b>2</b>	Installazione	8
<b>2.1</b>	Verifiche preliminari	8
<b>2.2</b>	Impianto tipico	8
<b>2.3</b>	Limiti d'impiego	9
<b>2.4</b>	Installazione SPIDO	9
<b>2.5</b>	Impostazione asta di trasmissione	9
<b>2.6</b>	Inserimento slitte di finecorsa	9
<b>3</b>	Manovra manuale dall'interno o sblocco	10
<b>4</b>	Collaudo	10
<b>5</b>	Manutenzione	10
<b>5.1</b>	Smaltimento	10
<b>6</b>	Caratteristiche tecniche	10
	<b>Istruzioni ed avvertenze destinate all'utilizzatore del motoriduttore SPIDO</b>	11

## Avvertenze importanti

Nice si congratula per la scelta di questo prodotto e vi invita a leggere con molta attenzione queste pagine.

Per rendere più semplice l'uso di queste istruzioni si è cercato, per quanto possibile, di impaginarle rispettando l'ordine con cui devono essere eseguite le varie fasi dell'installazione dell'impianto.

È necessario leggere attentamente le istruzioni e il fascicolo allegato "Avvertenze per l'installatore" prima di procedere all'installazione, in quanto forniscono importanti indicazioni riguardanti la sicurezza, l'installazione, l'uso e la manutenzione.

Tutto quello che non è espressamente previsto in queste istruzioni non è permesso. Infatti usi non indicati nelle istruzioni potrebbero essere fonte di danni al prodotto e mettere in pericolo persone e cose.

Nice declina qualsiasi responsabilità dall'inosservanza della buona tecnica nella costruzione delle porte sezionali, nonché dalle deformazioni che potrebbero verificarsi durante l'uso.

Non installare il prodotto in atmosfera esplosiva.

Questo prodotto è stato progettato e realizzato per automatizzare porte apribili manualmente e ben bilanciate, perciò, la porta deve potersi aprire per tutta la corsa con una forza inferiore a 150N (15kg) e fermato in qualsiasi posizione, azionato lo sblocco, non deve accennare a scendere. E' vietato toccare qualsiasi organo meccanico (catena, carrello, pignone) durante il funzionamento.

## 1) Descrizione del prodotto

SPIDO è un attuatore elettromeccanico per l'automazione di porte sezionali, a contrappesi e a molle. Grazie al profilo unico permette un'installazione semplice e veloce. La centrale elettrica utilizza il sistema amperometrico per rilevare la forza sviluppata dal motore offrendo la possibilità di scegliere la sensibilità tra 5 livelli. La manovra manuale è un'operazione semplice e sicura che disimpegna il portone dal carrello di traino.

## 2) Installazione

### 2.1) Verifiche preliminari

Prima di procedere ad una qualsiasi motorizzazione verificare che la struttura sia idonea, in altre parole, conforme alle norme vigenti.

In particolare:

la porta non presenti punti d'attrito sia in chiusura sia in apertura;

la movimentazione della porta non necessiti di una forza superiore a 150N (15kg);

la porta sia ben bilanciata, ossia, fermata in qualsiasi posizione non accenni a riprendere il moto;

la porta, nella sua corsa, sia silenziosa, regolare e non sbandi;

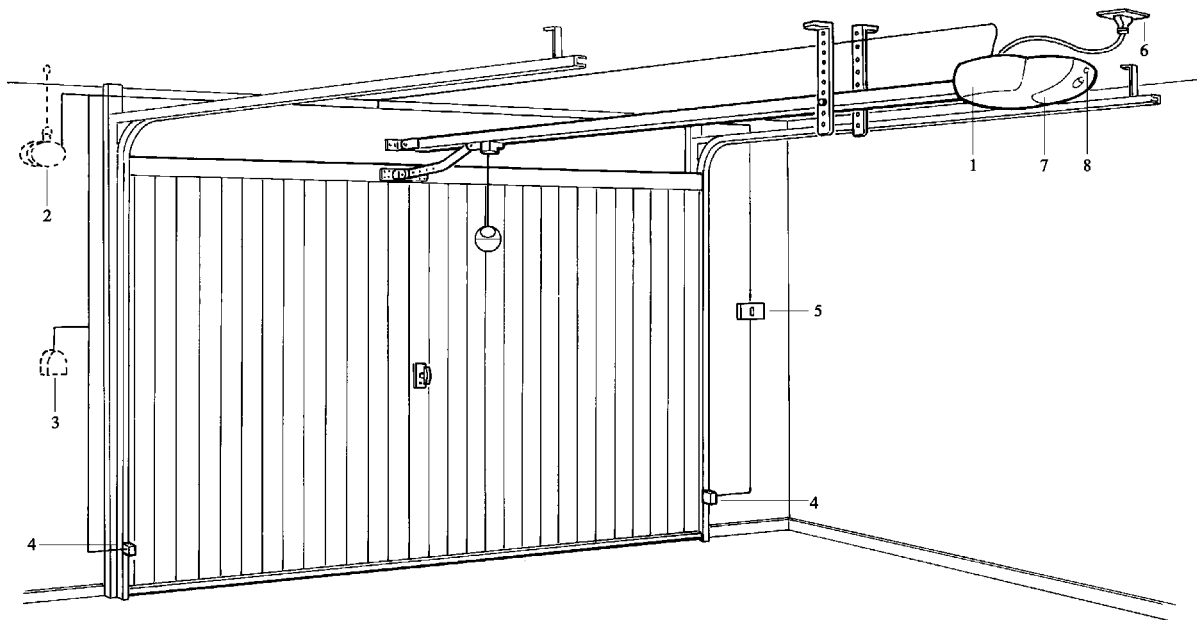
la zona individuata per il fissaggio del motoriduttore consenta di operare la manovra manuale di sblocco con facilità e sicurezza; si ricorda che SPIDO deve motorizzare una porta (sezionale, basculante a contrappesi o a molle) di per sé efficiente e sicura e non sopperire a difetti causati da una sbagliata installazione, o da una cattiva manutenzione;

la confezione sia integra, facendo riferimento alla **fig. 1**;

facendo riferimento alla **fig. 2** verificare che la zona di fissaggio sia compatibile con l'ingombro del motoriduttore.

La **fig. 3** riporta una tipica installazione dello SPIDO.

### 2.2) Impianto tipico



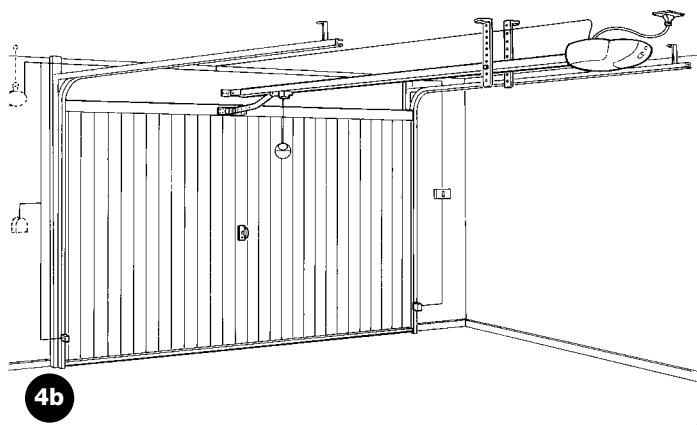
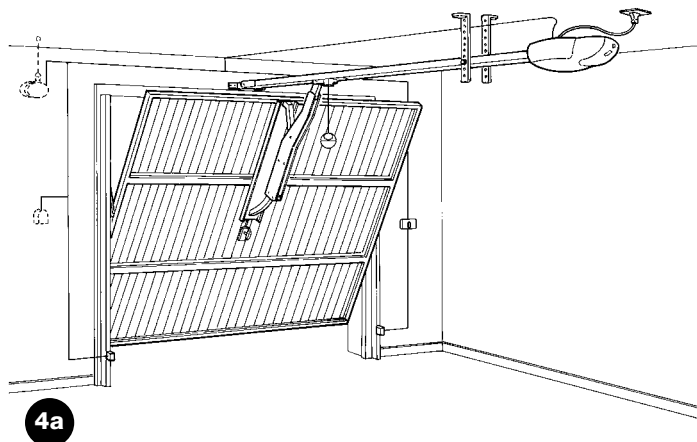
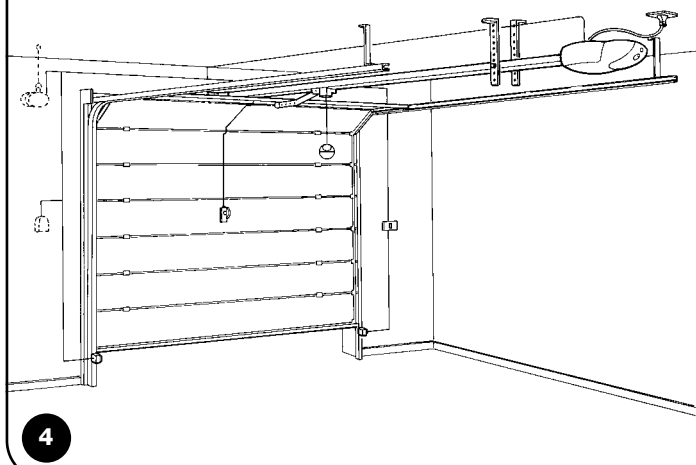
1. SPIDO
2. Lampeggiante 24Vdc
3. Selettore a tastiera digitale
4. Coppia di fotocellula
5. Pulsantiera interna
6. Presa schuko
7. Lampadina 24V 25W max
8. Pulsante "Passo-Passo"

## 2.3) Limiti d'impiego

Porta sezionale (H max = 2400 mm) **(fig. 4)**

Porta basculante a contrappesi (H max = 2400 mm) **(fig. 4a)**

Porta basculante a molle (H max = 2600 mm) **(fig. 4b)**



## 2.4) Installazione SPIDO

1. Assemblare l'asta di traino (27) con l'asta curva (61) **(Fig. 5)**;
2. Far passare la corda (24) nel foro non filettato del perno di sblocco e pareggiarla all'altra estremità;
3. Annodare i due capi assieme dopo averli fatti passare nel foro del pomello (25);
4. Inserire la staffa supporto guida (32) nel rinvio tendicatena e fissarla con la vite (48) e con dado (17) **(Fig. 6)**;
5. Infilare la slitta (23) nell'estremità del profilo **(Fig. 7)**;
6. Infilare le viti (35) nelle due feritoie del profilo **(Fig. 8)**;
7. Inserire il profilo facendo passare la catena oltre il pignone del motore e bloccarlo con la staffa (33) tramite due viti (44) **(Fig. 9)**;
8. Mettere in leggera tensione la catena **(Fig. 10)**;
9. Fissare SPIDO al telaio della porta (scelta consigliata) oppure al muro con rivetti o tasselli tenendo una distanza compresa tra 30mm e 350mm dalla corsa massima della porta stessa **(Fig. 11)**;
10. Verificare le misure per la foratura, inserire e bloccare le staffe di sostegno (18) e fissare SPIDO al soffitto. Tagliare la parte eccedente delle staffe **(Fig. 12)**.

## 2.5) Impostazione asta di trasmissione

Per avere una regolazione millimetrica nella manovra di chiusura agire sull'asta di trasmissione con una chiave da 10mm, allentando i bulloni e regolando la corsa tramite le due asole o se necessario svitando completamente i bulloni e cambiando la posizione di fissaggio **(Fig. 13)**.

**⚠ Serrare a fondo tutti i collegamenti a vite.**

## 2.6) Inserimento slitte di finecorsa

**⚠ L'inserimento delle slitte di finecorsa deve avvenire esclusivamente a motore fermo.**

Per il fissaggio delle slitte di finecorsa seguire quanto descritto nelle istruzioni della "centrale elettrica".

### 3) Manovra manuale dall'interno o sblocco

**⚠ La manovra manuale deve avvenire esclusivamente a porta ferma e dopo aver tolto l'alimentazione alla centrale elettrica.**

1. Tirare il pomello verso il basso e agire sulla porta manualmente **(Fig. 14)**;
2. Ruotare la maniglia e agire sulla porta manualmente **(Fig. 15)**.

### 4) Collaudo

Il collaudo dell'intero impianto deve essere eseguito da personale esperto e qualificato che deve farsi carico delle prove richieste, in funzione del rischio presente. Per il collaudo di SPIDO si dovrà seguire questa procedura:

- chiudere la porta;
- togliere alimentazione;
- sbloccare il motoriduttore;
- verificare che la corsia di scorrimento sia pulita e libera da detriti;
- aprire manualmente il portone per tutta la sua corsa assicurandosi di esercitare uno sforzo sempre inferiore a 150N (15kg);
- verificare che la porta durante il moto non subisca punti d'attrito;
- verificare che la porta fermata in qualsiasi punto e sbloccata, non accenni a cadere;
- verificare che i sistemi di sicurezza siano in buono stato;
- verificare che i collegamenti a vite siano ben stretti;
- verificare la tensione della catena e il suo buon scorrimento e se necessario lubrificarla;
- terminate le verifiche ribloccare il motoriduttore e rialimentare la centrale;
- regolare (dalla centrale elettronica) la sensibilità amperometrica in modo che riesca a muovere solo ed unicamente la porta;
- misurare la forza d'impatto come previsto dalla normativa EN12445 e EN12453.

### 5) Manutenzione

SPIDO non necessita di interventi particolari durante la sua vita tuttavia, una manutenzione periodica, almeno ogni 6 mesi, non solo garantisce una maggiore vita, ma anche un corretto e sicuro funzionamento del sistema.

Solo personale qualificato può eseguire la manutenzione.

**La manutenzione consiste nel ripetere la procedura di collaudo.**

#### 5.1) Smaltimento

SPIDO è costituito da varie tipologie di materiali e l'eliminazione di questi va effettuata rispettando le norme vigenti nei singoli Paesi.

Nel caso di demolizione dell'automatismo non esistono particolari pericoli o rischi derivati dall'automazione stessa. E' opportuno, in caso si desideri effettuare una raccolta differenziata, che i materiali vengano separati per tipologia (parti elettriche, alluminio, plastica, ecc.).

### 6) Caratteristiche tecniche

		SP6000 230V ~	SP6000 110V ~
Alimentazione	(Vac)	230	110
Assorbimento linea	(A)	0,65	1,3
Massima potenza assorbita	(W)	150	
Velocità	(m/s)	0,15	
Corsa Y	(mm)	2500	
Spinta max.	(N)	650	
Trazione max.	(N)	700	
Temperatura di esercizio	(°C)	-20 ÷ +50	
Cicli di lavoro	(%)	30	
Peso motore (con profilo)	(kg)	12	
Grado di protezione	(IP)	40	



**motoriduttore  
per porte sezionali  
o basculanti a molle  
o a contrappesi**



# spido

## Istruzioni ed avvertenze destinate all'utilizzatore del motoriduttore SPIDO

**Complimenti** per aver scelto per la vostra automazione un prodotto Nice!

Nice S.p.A. produce componenti per l'automazione di cancelli, porte, tapparelle e tende da sole: motoriduttori, centrali di comando, radiocomandi, lampeggianti, fotocellule e accessori.

Nice utilizza solo materiali e lavorazioni di qualità, e per vocazione ricerca soluzioni innovative che semplifichino al massimo l'utilizzo delle sue apparecchiature, curate nelle soluzioni tecniche, estetiche, ergonomiche: nella grande gamma Nice il vostro installatore avrà senz'altro scelto il prodotto più adatto alle vostre esigenze.

Nice non è però il produttore della vostra automazione, che è invece il risultato di un'opera di analisi, valutazione, scelta dei materiali, e realizzazione dell'impianto eseguita dal vostro installatore di fiducia.

Ogni automazione è unica e solo il vostro installatore possiede l'esperienza e la professionalità necessarie ad eseguire un impianto secondo le vostre esigenze, sicuro ed affidabile nel tempo, e soprattutto a regola d'arte, rispondente cioè alle normative in vigore.

Un impianto di automazione è una bella comodità, oltre che un valido sistema di sicurezza e, con poche, semplici attenzioni, è destinato a durare negli anni.

Anche se l'automazione in vostro possesso soddisfa il livello di sicurezza richiesto dalle normative, questo non esclude l'esistenza di un "rischio residuo", cioè la possibilità che si possano generare situazioni di pericolo, solitamente dovute ad un utilizzo incosciente o addirittura errato, per questo motivo desideriamo darvi alcuni consigli sui comportamenti da seguire per evitare ogni inconveniente:

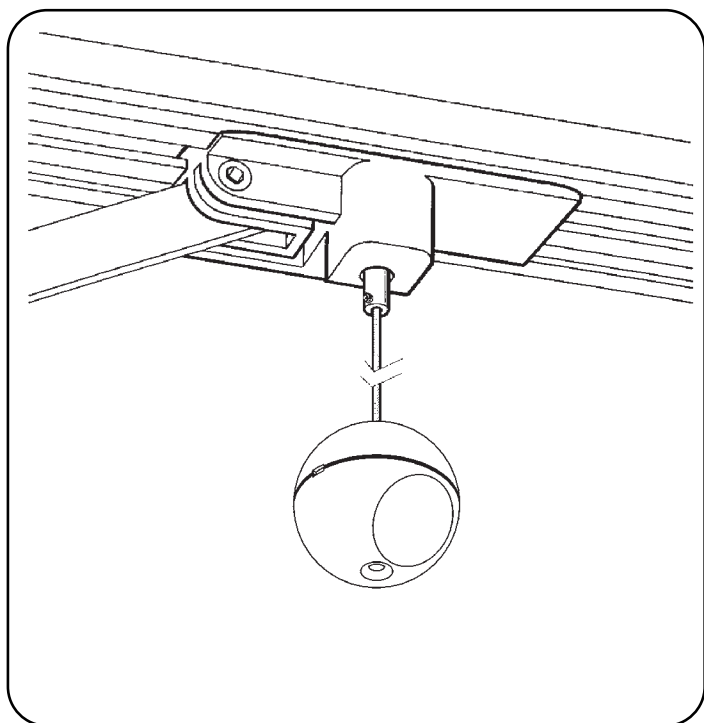
- **Prima di usare per la prima volta l'automazione**, fatevi spiegare dall'installatore l'origine dei rischi residui, e dedicate qualche minuto alla lettura del manuale di **istruzioni ed avvertenze per l'utilizzatore** consegnatovi dall'installatore. Conservate il manuale per ogni dubbio futuro e consegnatelo ad un eventuale nuovo proprietario dell'automazione.
- **La vostra automazione è un macchinario che esegue fedelmente i vostri comandi**; un uso incosciente ed improprio può farlo diventare pericoloso: non comandate il movimento dell'automazione se nel suo raggio di azione si trovano persone, animali o cose.

COMPANY  
WITH QUALITY SYSTEM  
CERTIFIED BY DNV  
=ISO 9001/2000=

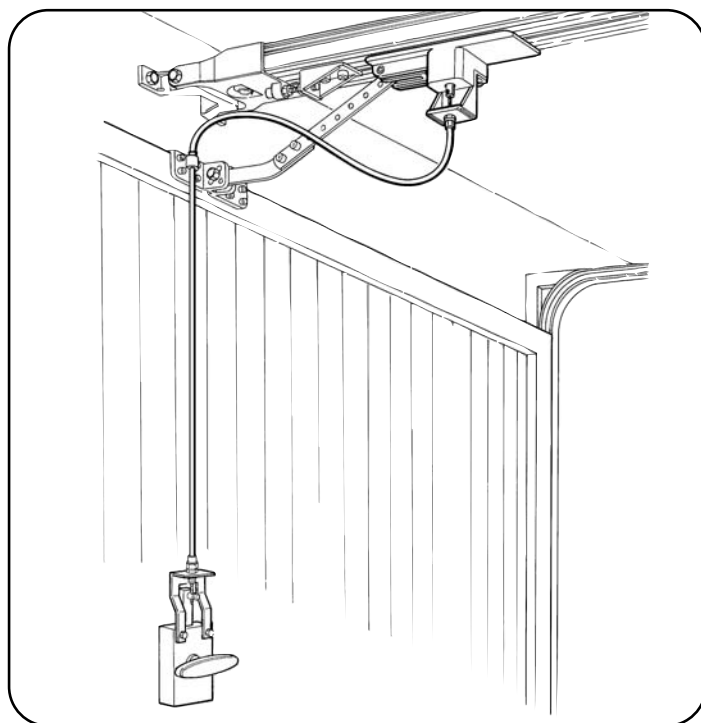


**Nice**

- **Bambini:** un impianto di automazione garantisce un alto grado di sicurezza, impedendo con i suoi sistemi di rilevazione il movimento in presenza di persone o cose, e garantendo un'attivazione sempre prevedibile e sicura. È comunque prudente vietare ai bambini di giocare in prossimità dell'automazione e per evitare attivazioni involontarie non lasciare i telecomandi alla loro portata: **non è un gioco!**
- **Anomalie.** Non appena notate qualunque comportamento anomalo da parte dell'automazione, togliete alimentazione elettrica all'impianto ed eseguite lo sblocco manuale. Non tentate da soli alcuna riparazione, ma richiedete l'intervento del vostro installatore di fiducia: nel frattempo l'impianto può funzionare come un'apertura non automatizzata, una volta sbloccato il motoriduttore come descritto più avanti.
- **Manutenzione.** Come ogni macchinario la vostra automazione ha bisogno di una manutenzione periodica affinché possa funzionare più a lungo possibile ed in completa sicurezza. Concordate con il vostro installatore un piano di manutenzione con frequenza periodica; Nice consiglia un intervento ogni 6 mesi per un normale utilizzo domestico, ma questo periodo può variare in funzione dell'intensità d'uso. Qualunque intervento di controllo, manutenzione o riparazione deve essere eseguito solo da personale qualificato.
- Anche se ritenete di saperlo fare, non modificate l'impianto ed i parametri di programmazione e di regolazione dell'automazione: la responsabilità è del vostro installatore.
- Il collaudo finale, le manutenzioni periodiche e le eventuali riparazioni devono essere documentate da chi le esegue e i documenti conservati dal proprietario dell'impianto.
- **Smaltimento.** Al termine della vita dell'automazione, assicuratevi che lo smantellamento sia eseguito da personale qualificato e che i materiali vengano riciclati o smaltiti secondo le norme valide a livello locale.
- **In caso di rotture o assenza di alimentazione.** Attendendo l'intervento del vostro installatore, (o il ritorno dell'energia elettrica se l'impianto non è dotato di batterie tampone), l'impianto può essere azionato come una qualunque apertura non automatizzata. Per fare ciò è necessario eseguire lo sblocco manuale: questa operazione, che è l'unica che può essere eseguita dall'utilizzatore dell'automazione, è particolarmente curata da Nice per assicurarvi sempre la massima facilità di utilizzo, senza uso di attrezzi o necessità di sforzo fisico.



Tirare il pomello verso il basso e agire sulla porta manualmente.



Ruotare la maniglia e agire sulla porta manualmente.

**⚠ La manovra manuale deve avvenire esclusivamente a porta ferma e dopo aver tolto l'alimentazione alla centrale elettrica.**

**Importante:** se il vostro impianto è dotato di un radiocomando che dopo qualche tempo vi sembra funzionare peggio, oppure non funzionare affatto, potrebbe semplicemente dipendere dall'esaurimento della pila (a seconda del tipo, possono trascorrere da diversi mesi fino a due/tre anni). Ve ne potete accorgere dal fatto che la spia di conferma della trasmissione è fioca, non si accende affatto, oppure si accende solo per un breve istante. Prima di rivolgervi all'installatore provate a scambiare la pila con quella di un altro trasmettitore eventualmente funzionante: se questa fosse la causa dell'anomalia, sarà sufficiente sostituire la pila con altra dello stesso tipo.

**Siete soddisfatti?** Nel caso voleste aggiungere nella vostra casa un nuovo impianto di automazione, rivolgendovi allo stesso installatore e a Nice vi garantirete, oltre che la consulenza di uno specialista e i prodotti più evoluti del mercato, il migliore funzionamento e la massima compatibilità delle automazioni.

Vi ringraziamo per aver letto queste raccomandazioni, e vi auguriamo la massima soddisfazione dal vostro nuovo impianto: per ogni esigenza presente o futura rivolgetevi con fiducia al vostro installatore.

# spido

Table des matières :		page			page
<b>1</b>	Description du produit	14	<b>4</b>	Essai de fonctionnement	16
<b>2</b>	Installation	14	<b>5</b>	Maintenance	16
<b>2.1</b>	Contrôles préliminaires	14	<b>5.1</b>	Mise au rebut	16
<b>2.2</b>	Installation typique	14	<b>6</b>	Caractéristiques techniques	16
<b>2.3</b>	Limites d'application	15		<b>Instructions et recommandations destinées à l'utilisateur de l'opérateur SPIDO</b>	16
<b>2.4</b>	Installation SPIDO	15			
<b>2.5</b>	Réglage barre de transmission	15			
<b>2.6</b>	Montage dispositifs de fin de course	15			
<b>3</b>	Manœuvre manuelle de l'intérieur ou débrayage	16			

## Recommandations importantes

Nice vous félicite pour avoir choisi ce produit et vous invite à lire très attentivement ces pages.

Pour faciliter la compréhension de ces instructions, nous avons tenté, dans la mesure du possible, de les présenter en respectant l'ordre dans lequel vous devez exécuter les différentes phases d'installation de l'automatisme.

Il faut lire attentivement les instructions et le fascicule joint "Recommandations pour l'installateur" avant de procéder à l'installation car ils fournissent des indications importantes concernant la sécurité, l'installation, l'utilisation et la maintenance de l'automatisme.

Tout ce qui n'est pas expressément prévu dans ces instructions n'est pas autorisé. En effet les utilisations non décrites dans les instructions pourraient être une source de dommages pour le produit et mettre en danger les personnes et les choses.

Nice décline toute responsabilité en cas de non-observation des règles de l'art dans la construction des portes sectionnelles ainsi que des déformations qui pourraient se vérifier durant l'utilisation.

Ne pas installer le produit en présence d'atmosphère explosive.

Ce produit a été projeté et réalisé pour automatiser des portes ouvrables manuellement et bien équilibrées, c'est-à-dire que la porte doit pouvoir s'ouvrir jusqu'en fin de course avec une force inférieure à 150 N (15 kg) et que lorsqu'elle est arrêtée dans n'importe quelle position, après avoir actionné le débrayage, elle ne doit pas amorcer la descente.

Il est interdit de toucher les organes mécaniques (chaîne, chariot, pignon) pendant le fonctionnement.

## 1) Description du produit

SPIDO est un opérateur électromécanique pour l'automatisation de portes sectionnelles et de portes basculantes à contrepoids ou à ressorts. Grâce au rail unique, il permet une installation simple et rapide. La logique de commande est dotée d'un système ampèremétrique pour détecter la force développée par le moteur en offrant la possibilité de choix entre 5 niveaux de sensibilité. La manœuvre manuelle est une opération simple et sûre qui libère la porte du chariot de traction.

## 2) Installation

### 2.1) Contrôles préliminaires

Avant de procéder à l'installation, il faut vérifier que la structure est adaptée, en d'autres termes, qu'elle est conforme aux normes en vigueur et en particulier, il faut vérifier que:

la porte ne présente pas de points de frottement aussi bien en fermeture qu'en ouverture;

l'ouverture ou la fermeture de la porte ne nécessite pas une force supérieure à 150 N (15 kg);

la porte est bien équilibrée, à savoir, que lorsque qu'elle est arrêtée dans une position quelconque, elle n'amorce aucun mouvement;

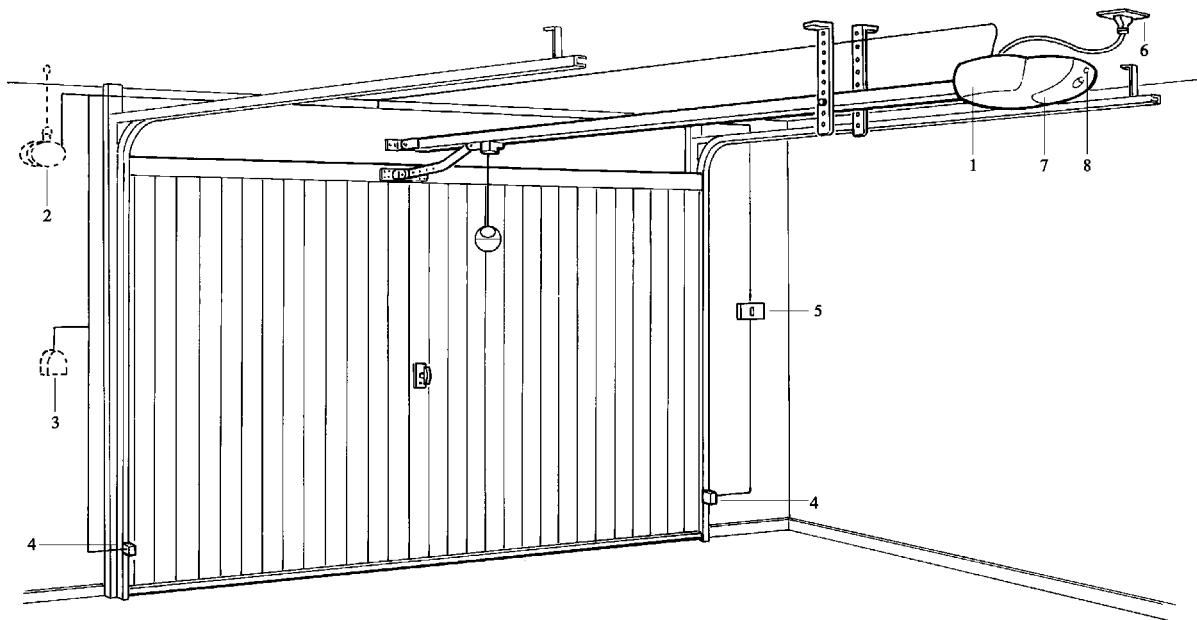
la porte, dans sa course, est silencieuse, régulière et sans embardées;

la zone choisie pour la fixation de l'opérateur permet d'actionner manuellement le débrayage de manière facile et sûre; nous rappelons que SPIDO est conçu pour la motorisation d'une porte (sectionnelle, basculante à contrepoids ou à ressorts) et est en soi efficace et sûr; il ne peut toutefois suppléer aux défauts causés par une installation erronée ou par une mauvaise maintenance.

l'emballage contient tous les éléments, comme l'illustre la **fig. 1**; en se référant à la **fig. 2**, vérifier que la zone de fixation est compatible avec l'encombrement de l'opérateur.

La **fig. 3** illustre une installation typique du SPIDO.

### 2.2) Installation typique



1. SPIDO
2. Clignotant 24 Vcc
3. Clavier à code
4. Paire de photocellules
5. Commande interne
6. Prise schuko
7. Lampe 24 V 25 W max.
8. Touche Pas-à-pas

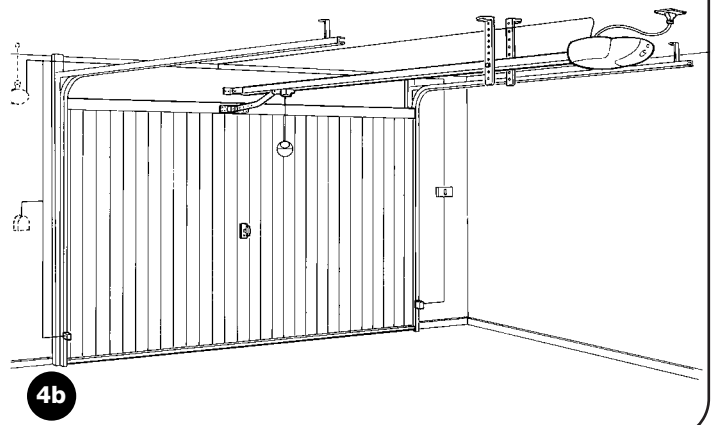
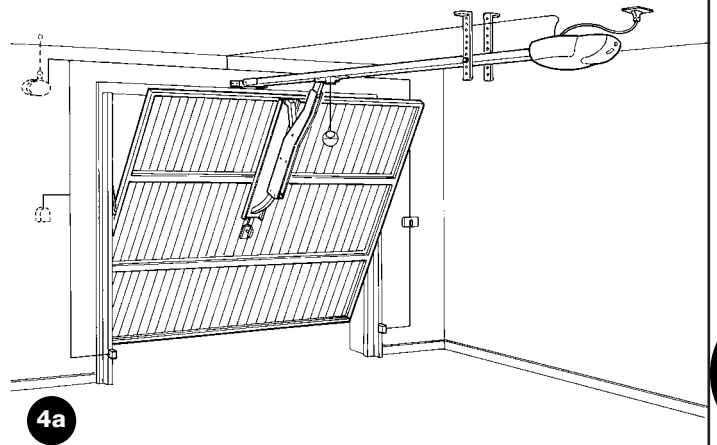
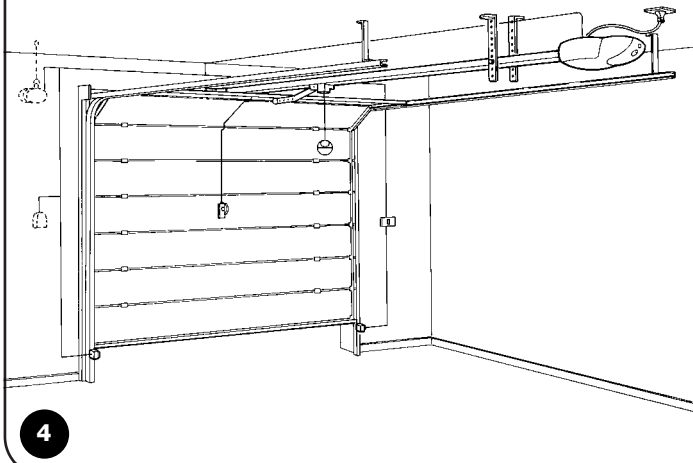


## 2.3 Limites d'application

Porte sectionnelle (H max. = 2400 mm) **(fig. 4)**

Porte basculante à contrepoids (H max. = 2400) **(fig. 4a)**

Porte basculante à ressorts (H max. = 2600 mm) **(fig. 4b)**



F

## 2.4 Installation SPIDO

1. Assembler la barre de traction (27) avec la barre courbe (61) **(fig. 5)**;
2. Faire passer la corde (24) dans le trou non fileté de l'axe du débrayage et la reporter à l'autre extrémité, bout à bout;
3. Nouer ensemble les deux extrémités après les avoir fait passer dans le trou de la poignée (25);
4. Insérer l'étrier de support du rail (32) dans le renvoi de tension chaîne et le fixer avec la vis (48) et avec l'écrou (17) **(fig. 6)**;
5. Enfiler le chariot (23) à l'extrémité du rail **(fig. 7)**;
6. Introduire les vis dans les deux fentes du rail **(fig. 8)**;
7. Insérer le rail en faisant passer la chaîne au-delà du pignon du moteur et le bloquer avec la patte (33) au moyen de deux vis (44) **(fig. 9)**;
8. Tendre légèrement la chaîne **(fig. 10)**;
9. Fixer SPIDO au bâti de la porte (choix conseillé) ou au mur avec des rivets ou des vis tamponnées en maintenant une distance comprise entre 30 mm et 350 mm par rapport à la course maximum de la porte **(fig. 11)**;
10. Vérifier les mesures pour le perçage, insérer et bloquer les pattes de support (18) et fixer SPIDO au plafond. Couper la partie des pattes de support qui dépasse **(fig. 12)**.

## 2.5 Réglage barre de transmission

Pour obtenir un réglage millimétrique dans la manœuvre de fermeture, agir sur la barre de transmission avec une clé de 10 mm en desserrant les boulons et en réglant la course à l'aide des deux fentes ou, si nécessaire, en dévissant complètement les boulons et en changeant la position de fixation **(fig. 13)**.

**⚠ Serrer à fond toutes les vis d'assemblage.**

## 2.6 Montage dispositifs de fin de course

**⚠ Le montage des dispositifs de fin de course doit être fait exclusivement quand le moteur est arrêté.**

Pour la fixation des dispositifs de fin de course, suivre les opérations décrites dans les instructions de l'armoire de commande.

### 3) Manœuvre manuelle de l'intérieur ou débrayage

**⚠ La manœuvre manuelle doit être faite exclusivement avec la porte arrêtée et après avoir coupé l'alimentation électrique de l'armoire de commande.**

1. Tirer la poignée vers le bas et agir manuellement sur la porte (**fig. 14**);
2. Tourner la poignée et agir manuellement sur la porte (**fig. 15**).

### 4) Essai de fonctionnement

L'essai de fonctionnement de toute l'installation doit être effectué par du personnel expert et qualifié qui doit se charger des essais requis en tenant compte du risque présent.

Pour l'essai de SPIDO, suivre cette procédure :

- fermer la porte;
  - couper l'alimentation de l'armoire de commande;
  - débrayer l'opérateur;
  - vérifier que le rail de coulissement est propre et sans débris;
  - ouvrir manuellement la porte jusqu'en fin de course en veillant à ne pas exercer une force supérieure à 150 N (15 kg);
  - vérifier l'absence de points de frottement durant le mouvement de la porte;
  - vérifier que la porte, si elle est arrêtée en un point quelconque et débrayée, n'amorce pas la descente;
- vérifier que les systèmes de sécurité sont en bon état;
  - vérifier que les vis d'assemblage sont serrées à fond;
  - vérifier la tension de la chaîne et qu'elle coulisse bien, si nécessaire la graisser ;
  - après avoir terminé les vérifications, réembrayer l'opérateur et rétablir l'alimentation de l'armoire de commande.
  - régler (à partir de l'armoire de commande) la sensibilité ampèremétrique de manière à ce qu'elle n'arrive à bouger que la porte;
  - mesurer la force d'impact conformément aux normes EN12453 et EN12445.

### 5) Maintenance

SPIDO ne requiert pas de maintenance particulière mais un contrôle programmé au moins tous les six mois permet d'assurer à l'opérateur une plus longue vie et un fonctionnement correct et sûr du système.

La maintenance doit être effectuée exclusivement par du personnel qualifié.

**La maintenance consiste simplement à répéter toute la procédure de l'essai de fonctionnement.**

#### 5.1) Mise au rebut

SPIDO est constitué de différents types de matériaux et leur mise au rebut doit être effectuée en respectant les normes en vigueur dans le pays d'installation.

En cas de démantèlement de l'automatisme, il n'existe pas de dangers ou risques dérivant de l'automatisme proprement dit.

Dans le cas de récolte différenciée, il est opportun d'effectuer un tri sélectif suivant le type de matériau (partes électriques, aluminium, plastique, etc.)

### 6) Caractéristiques techniques

		SP6000 230V ~	SP6000 110V ~
Alimentation	(Vac)	230	110
Courant absorbé	(W)	0,65	1,3
Puissance max. absorbée	(A)	150	
Vitesse	(m/s)	0,15	
Course Y	(N)	2500	
Poussée max.	(mm)	650	
Traction max.	(N)	700	
Température de fonctionnement	(°C)	-20 ÷ +50	
Cycles de travail	(%)	30	
Poids moteur (avec rail)	(kg)	12	
Indice de protection	(IP)	40	



**opérateur pour portes  
sectionnelles et basculantes  
à ressorts ou contreponds**



**F**

# spido

## Instructions et avertissements destinés à l'utilisateur de l'opérateur SPIDO

**Félicitations** pour avoir choisi un produit Nice pour votre installation d'automatisation!

Nice S.p.A. produit des composants pour l'automatisme de portails, portes, volets roulants et stores : opérateurs, armoires de commande, radiocommandes, clignotants, photocellules et accessoires.

Nice utilise exclusivement des matériaux et des usinages de qualité et par vocation, elle recherche des solutions innovantes qui simplifient au maximum l'utilisation de ses appareils, très soignés sur le plan des solutions techniques, esthétiques et ergonomiques: dans la vaste gamme Nice, votre installateur aura choisi sans aucun doute le produit le plus adapté à vos exigences.

Nice n'est toutefois pas le producteur de votre automatisme qui est en effet le résultat d'un travail d'analyse, évaluation, choix des matériaux et réalisation de l'installation, exécuté par votre installateur de confiance. Chaque automatisme est unique et seul votre installateur possède l'expérience et la compétence professionnelle nécessaires pour réaliser une installation répondant à vos exigences, sûre et fiable dans le temps et surtout, exécutée dans les règles de l'art et conforme par conséquent aux normes en vigueur.

Une installation d'automatisation est une belle commodité ainsi qu'un système de sécurité valable ; avec quelques attentions très simples, elle est destinée à durer dans le temps.

Même si l'automatisme en votre possession satisfait le niveau de sécurité requis par les normes, cela n'exclut pas la persistance d'un "risque résiduel", c'est-à-dire la possibilité de situations de danger dues généralement à une utilisation inconsciente, voire erronée. C'est la raison pour laquelle nous désirons vous donner quelques conseils sur les comportements à adopter pour éviter tout inconvénient :

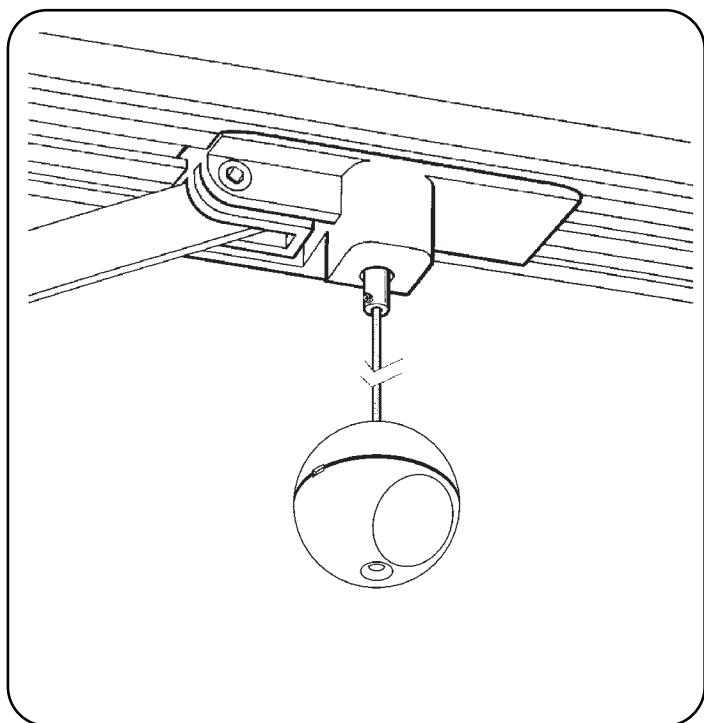
- **Avant d'utiliser pour la première fois l'automatisme**, faites-vous expliquer par l'installateur l'origine des risques résiduels et consacrez quelques minutes à la lecture du manuel **d'instructions et d'avertissement pour l'utilisateur** qui vous est remis par l'installateur. Conservez le manuel pour pouvoir le consulter pour n'importe quel doute futur et remettez-le à l'éventuel nouveau propriétaire de l'automatisme.
- **Votre automatisme est un équipement qui exécute fidèlement vos commandes**; une utilisation inconsciente et incorrecte peut le rendre dangereux: ne commandez pas le mouvement de l'automatisme si des personnes, des animaux ou des objets se trouvent dans son rayon d'action.

COMPANY  
WITH QUALITY SYSTEM  
CERTIFIED BY DNV  
=ISO 9001/2000=

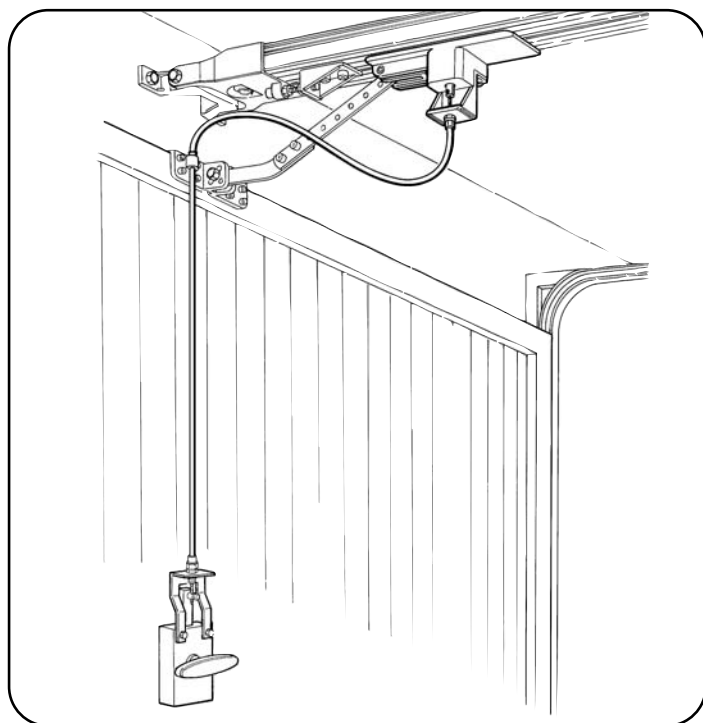


**Nice**

- **Enfants:** une installation d'automatisation garantit un degré de sécurité élevé en empêchant avec ses systèmes de détection le mouvement en présence de personnes ou d'objets et en garantissant une activation toujours prévisible et sûre. Il est prudent toutefois d'éviter de laisser jouer les enfants à proximité de l'automatisme et pour éviter les activations involontaires, de ne pas laisser à leur portée les émetteurs qui commandent la manœuvre: **ce n'est pas un jeu!**
- **Anomalies:** si vous notez une anomalie quelconque dans le fonctionnement de l'automatisme, coupez l'alimentation électrique de l'installation et procédez au débrayage manuel. Ne tentez jamais de le réparer vous-même mais demandez l'intervention de votre installateur de confiance : dans l'intervalle, l'installation peut fonctionner comme un système non automatisé, après avoir débrayé l'opérateur suivant les indications données plus loin.
- **Maintenance:** comme tout appareil, votre automatisme a besoin d'une maintenance périodique pour pouvoir fonctionner le plus longtemps possible et en toute sécurité. Établissez avec votre installateur un plan de maintenance périodique programmée ; Nice conseille une intervention tous les 6 mois pour une utilisation domestique normale mais celle période peut varier en fonction de l'intensité d'utilisation. Toute intervention de contrôle, maintenance ou réparation doit être exécutée exclusivement par du personnel qualifié.
- Même si vous estimez en être capable, ne modifiez pas l'installation et les paramètres de programmation et de réglage de l'automatisme : la responsabilité en incombe à votre installateur.
- L'essai de fonctionnement final, les maintenances périodiques et les éventuelles réparations doivent être documentés par qui les exécute et les documents doivent être conservés par le propriétaire de l'installation.
- **Mise au rebut.** À la fin de la vie de l'automatisme, assurez-vous que le démantèlement est effectué par du personnel qualifié et que les matériaux sont recyclés ou mis au rebut en respectant les normes locales en vigueur.
- **En cas de ruptures ou absence d'alimentation électrique.** En attendant l'intervention de votre installateur (ou le retour du courant si l'installation est dépourvue de batterie tampon), l'installation peut être actionnée comme n'importe quel autre système non automatisé. Pour cela, il faut effectuer le débrayage manuel : cette opération, qui est la seule pouvant être effectuée par l'utilisateur de l'automatisme, a fait l'objet d'une étude particulière de la part de Nice pour vous assurer toujours une utilisation extrêmement simple et aisée, sans aucun outil ou effort physique.



Tirer la poignée vers le bas et agir manuellement sur la porte.



Tourner la poignée et agir manuellement sur la porte.

**⚠ La manœuvre manuelle doit être faite exclusivement avec la porte arrêtée et après avoir coupé l'alimentation électrique de l'armoire de commande.**

**Important:** si votre installation est munie d'une radiocommande qui au bout d'une certaine période présente des problèmes de fonctionnement ou ne fonctionne plus du tout, cela pourrait dépendre tout simplement du fait que la pile est usagée (suivant le type de pile, il peut s'écouler plusieurs mois jusqu'à deux ou trois ans). Vous pouvez vérifier cet état de chose si le voyant de confirmation de la transmission est faible, s'il ne s'allume plus du tout ou s'il ne s'allume qu'un bref instant. Avant de vous adresser à l'installateur, essayez de remplacer la pile en utilisant celle d'un autre émetteur qui fonctionne encore : si cette intervention remédie au problème, il vous suffit de remplacer la pile usagée par une neuve du même type.

**Vous êtes satisfait?** Si vous désirez équiper votre maison d'un nouvel automatisme, adressez-vous au même installateur et à Nice. Vous serez sûr de bénéficier ainsi, en plus du conseil d'un spécialiste et des produits les plus évolués du marché, également du meilleur fonctionnement et de la compatibilité parfaite des différents automatismes installés.

Nous vous remercions d'avoir lu ces recommandations et nous espérons que votre nouvelle installation vous donnera entière satisfaction : pour tout besoin présent ou futur, adressez-vous en toute confiance à votre installateur.

# spido

Inhaltsverzeichnis	S.		S.		
<b>1</b>	Beschreibung des Produktes	20	<b>4</b>	Prüfung	22
<b>2</b>	Installation	20	<b>5</b>	Wartung	22
<b>2.1</b>	Vorprüfungen	20	<b>5.1</b>	Entsorgung	22
<b>2.2</b>	Typische Anlage	20	<b>6</b>	Technische Merkmale	22
<b>2.3</b>	Einsatzgrenzen	21		<b>Anweisungen und Hinweise für den Benutzer des toröffners SPIDO</b>	23
<b>2.4</b>	Installation von SPIDO	21			
<b>2.5</b>	Einstellung der Antriebsstange	21			
<b>2.6</b>	Einbau der Endschalterschlitzen	21			
<b>3</b>	Manuelle Betätigung von innen oder Entriegelung	22			

## Wichtige Hinweise

Nice gratuliert Ihnen zur Wahl dieses Produktes und bittet Sie, diese Seiten sehr aufmerksam zu lesen.

Um den Gebrauch dieser Anweisungen so einfach wie möglich zu machen, wurde soweit möglich versucht, die Seiten in der Reihe einzuordnen, in der die verschiedenen Installationsschritte der Anlage auszuführen sind.

Vor der Installation sind die Anweisungen und das anliegende Heft „Hinweise für den Installateur“ aufmerksam zu lesen, da sie, was Sicherheit, Installation, Bedienung und Wartung betrifft, wichtige Hinweise liefern.

Alles nicht ausdrücklich in diesen Anweisungen vorgesehene ist unzulässig; nicht in den Anweisungen vorgesehene Verwendungen könnten das Produkt beschädigen und Personen und Gegenstände gefährden.

Nice übernimmt keine Haftung weder für die gute Konstruktionstechnik der Sektionaltore noch für eventuelle Verformungen während des Betriebs.

Das Produkt nicht in Ex-gefährdeter Umgebung installieren.

Das vorliegende Produkt wurde für die Automatisierung von Toren entwickelt und hergestellt, die von Hand geöffnet werden können und ein gutes Gleichgewicht haben, es muss daher möglich sein, das Tor auf seinem ganzen Lauf mit einer Kraft unter 150N (15 kg) zu öffnen, und wenn das Tor in beliebiger Stellung angehalten wird, darf es nach Betätigung der Entriegelung nicht heruntergehen.

Während des Betriebs ist es verboten, Bewegungsteile (Kette, Wagen, Ritzel) zu berühren.

## 1) Beschreibung des Produktes

SPIDO ist ein elektromechanischer Toröffner für die Automatisierung von Sektionaltoren und von Schwingtoren mit Gegengewichten und Federn. Dank nur einem Profil kann SPIDO auf einfache und schnelle Weise installiert werden. Die Steuerung wendet eine Stromregelung für die Messung der vom Motor entwickelten Kraft an und bietet die Möglichkeit, zwischen 5 Empfindlichkeitsstufen zu wählen. Die manuelle Betätigung ist ein einfacher und sicherer Vorgang, bei dem das Tor nicht mehr an den Zugwagen gebunden ist.

## 2) Installation

### 2.1) Vorprüfungen

Vor dem Einbau einer Automatisierung muss geprüft werden, ob die Struktur dafür geeignet ist bzw. ob sie den gültigen Vorschriften entspricht.

Insbesondere:

darf das Tor weder in Öffnung noch in Schließung Reibungsstellen aufweisen;

dürfen für die Bewegung des Tors eine Kraft nicht über 150N (15kg) erforderlich sein;

muss das Tor ein gutes Gleichgewicht besitzen bzw. darf es sich nicht bewegen, wenn es angehalten wird;

muss das Tor einen leisen und regelmäßigen Lauf haben und darf nicht entgleisen;

muss der zur Befestigung des Toröffners gewählte Bereich so sein, dass die manuelle Entriegelung auf leichte und einfache Weise betätigt werden kann;

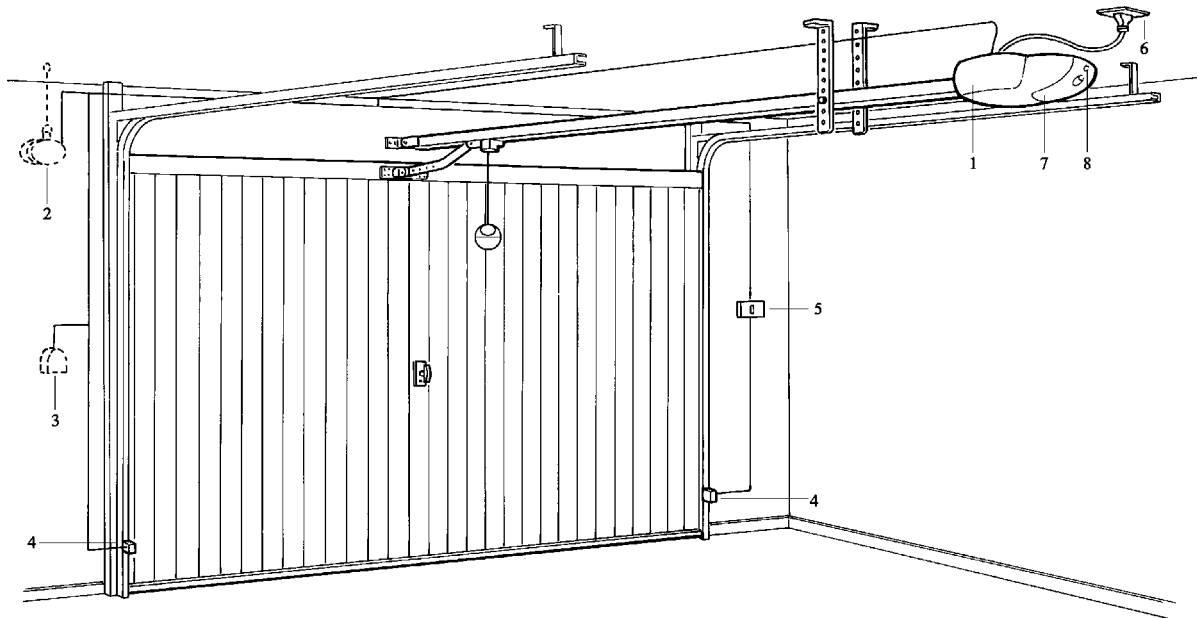
dient SPIDO für die Automatisierung von einem an und für sich effizienten und sicheren Tor (Sektionaltor, Schwingtor mit Gegengewichten oder Federn) und nicht dazu, Installationsfehlern oder einer schlechten Wartung Abhilfe zu schaffen;

muss die Verpackung unbeschädigt sein, siehe dazu **Abb. 1**;

ist unter Bezugnahme auf **Abb. 2** zu prüfen, ob der Befestigungsbereich für die Gesamtabmessungen des Toröffners geeignet ist.

In **Abb. 3** ist eine typische Installation von SPIDO gezeigt.

### 2.2) Typische Anlage



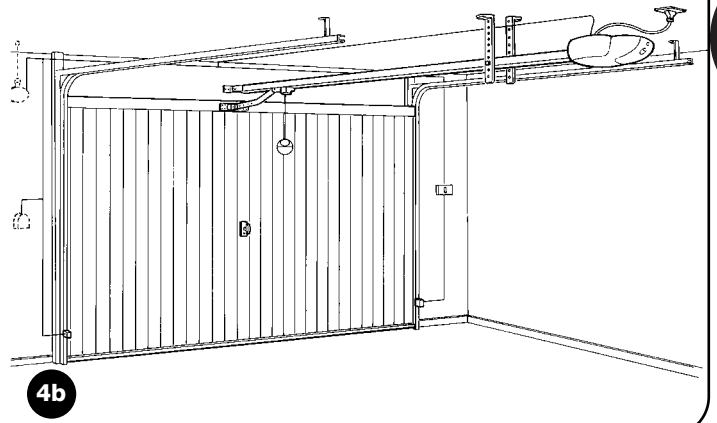
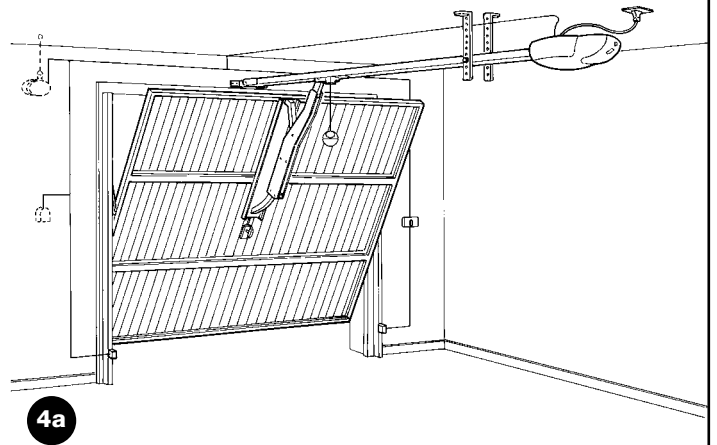
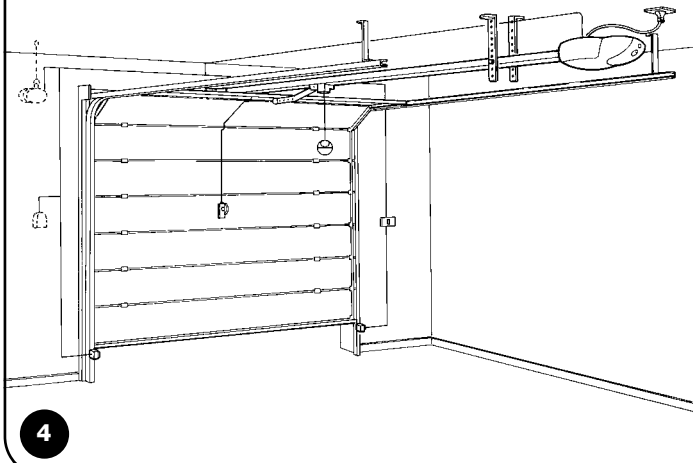
1. SPIDO
2. Blinkleuchte 24 Vdc
3. Drahtloses digitales Codeschloss
4. Photozellenpaar
5. Interne Druckknopftafel
6. Schukosteckdose
7. Beleuchtung 24V max. 25W
8. Taste „Schrittbetrieb“

## 2.3) Einsatzgrenzen

Sektionaltor (max. H = 2400 mm) **(Abb. 4)**

Schwingtor mit Gegengewichten (max. H = 2400 mm) **(Abb. 4a)**

Schwingtor mit Federn (max. H = 2600 mm) **(Abb. 4b)**



D

## 2.4) Installation von SPIDO

1. Die Zugstange (27) mit der gebogenen Stange (61) **(Abb. 5)** zusammenbauen;
2. Die Schnur (24) durch das Loch ohne Gewinde des Entriegelungszapfens führen und am anderen Ende zuschneiden;
3. Die beiden Enden verknoten, nachdem man sie durch das Loch im Kugelgriff (25) geführt hat;
4. Den Führungshaltebügel (32) in das Kettenspannervorgelege einstecken und mit der Schraube (48) und der Mutter (17) blockieren **(Abb. 6)**;
5. Den Schlitten (23) am Ende des Profils einstecken **(Abb. 7)**;
6. Die Schrauben (35) in die zwei Schlitze des Profils einschrauben **(Abb. 8)**;
7. Das Profil einfügen, wobei die Kette über das Motorritzel hinaus geführt und durch die zwei Schrauben (44) mit dem Bügel (33) blockiert werden muss **(Abb. 9)**;
8. Die Kette leicht spannen **(Abb. 10)**;
9. SPIDO mit Nieten oder Dübeln am Torrahmen (wird empfohlen) oder an der Mauer befestigen, dabei einen Abstand zwischen 30 und 350 mm vom maximalen Lauf des Tors halten **(Abb. 11)**;
10. Die Maße für die Bohrungen überprüfen, die Haltebügel (18) einfügen und blockieren und SPIDO an der Decke befestigen. Den überschüssigen Bügelteil wegschneiden **(Abb. 12)**.

## 2.5) Einstellung der Antriebsstange

Damit die Schließbewegung auf millimetrische Weise eingestellt werden kann, muss die Antriebsstange mit einem 10 mm Schlüssel betätigt werden, dazu die Mutterschrauben lockern und den Lauf mit Hilfe der zwei Schlitzlöcher oder, falls nötig, durch vollständiges Abschrauben der Mutterschrauben und Änderung der Befestigungsstellung einstellen **(Abb. 13)**.

**⚠ Alle Schraubverbindungen fest anziehen.**

## 2.6) Einbau der Endschalterschlitten

**⚠ Die Endschalterschlitten dürfen ausschließlich bei stehendem Motor eingebaut werden.**

Für die Befestigung der Endschalterschlitten ist nach der Beschreibung in den Anweisungen der „Steuerung“ vorzugehen.

### 3) Manuelle Betätigung von innen oder Entriegelung

**⚠ Die manuelle Betätigung darf ausschließlich bei stehendem Tor ausgeführt werden und nachdem die Versorgungsspannung zur Steuerung abgeschaltet worden ist.**

1. Den Kugelgriff nach unten ziehen und das Tor von Hand betätigen (**Abb. 14**).
2. Den Griff drehen und das Tor von Hand betätigen (**Abb. 15**).

### 4) Prüfung

Die Prüfung der ganzen Anlage muss von erfahreinem Fachpersonal ausgeführt werden, das die erforderlichen Tests je nach vorhandenem Risiko festzulegen hat.

Für die Prüfung von SPIDO ist wie folgt vorzugehen:

- das Tor schließen;
- die Spannungsversorgung abschalten;
- den Toröffner entriegeln;
- prüfen, ob die Gleitschiene sauber und ohne Schmutzteilchen ist;
- das Tor in seinem ganzen Lauf von Hand öffnen und sicherstellen, dass eine Kraft unter 150N (15 kg) ausgeübt wird;
- prüfen, ob das Tor während seiner Bewegung keinen Reibungen unterliegt;
- prüfen, ob das Tor nicht heruntergeht, wenn es entriegelt ist und an einer beliebigen Stelle angehalten wird;
- prüfen, ob die Sicherheitssysteme in gutem Zustand sind;
- prüfen, ob die Schraubverbindungen fest angezogen sind;
- prüfen, ob die Kette richtig gespannt ist und gut gleitet, gegebenenfalls schmieren;
- nach den Prüfungen den Toröffner wieder verriegeln und die Steuerung mit Spannung versorgen;
- die Stromempfindlichkeit (von der Steuerung aus) so einstellen, dass ausschließlich das Tor bewegt wird;
- die Aufprallkraft messen, wie von den Normen EN12445 und EN12453 vorgesehen.

### 5) Wartung

SPIDO bedarf während seiner Lebensdauer keiner besonderen Wartungseingriffe, trotzdem garantiert eine regelmäßige Wartung mindestens alle 6 Monate eine längere Lebensdauer und ein korrektes und sicheres Funktionieren des Systems.

Die Wartung darf nur von Fachpersonal ausgeführt werden.

**Die Wartung besteht aus einer Wiederholung des Prüfverfahrens.**

#### 5.1) Entsorgung

SPIDO besteht aus verschiedenen Werkstoffen, die nach den gültigen Vorschriften der einzelnen Länder zu entsorgen sind.

Im Falle eines Abbruchs der Automatisierung gibt es keine besonderen Gefahren oder Risiken aufgrund der Automatisierung selbst. Die Werkstoffe müssen nach Typ getrennt werden (elektrische Teile, Aluminium, Kunststoff, usw.), wenn man sie der differenzierten Müllabfuhr übergeben will.

### 6) Technische Merkmale

		SP6000 230V ~	SP6000 110V ~
Spannungsversorgung	(Vac)	230	110
Stromaufnahme	(W)	0,65	1,3
Maximale Leistungsaufnahme	(A)	150	
Geschwindigkeit	(m/s)	0,15	
Y-Lauf	(N)	2500	
Max. Schub	(mm)	650	
Max. Zug	(N)	700	
Betriebstemperatur	(°C)	-20 ÷ +50	
Arbeitszyklen	(%)	30	
Motorgewicht (mit Profil)	(kg)	12	
Schutzart	(IP)	40	





## Toröffner für Sektionaltore und Schwingtore mit Feder oder Gegengewicht



D

# spido

### Anweisungen und Hinweise für den Benutzer des Toröffners SPIDO

**Wir danken Ihnen**, dass Sie ein Nice Produkt für Ihre Automatisierung gewählt haben!

Nice S.p.A. stellt Komponenten für die Automatisierung von Toren, Türen, Jalousien und Markisen her: Getriebemotoren, Steuerungen, Fernbedienungen, Blinkleuchte, Photozellen und andere Zubehörteile.

Nice verwendet nur Qualitätswerkstoffe und -bearbeitungen und ist, da sie ihrer Tätigkeit mit Leib und Seele gewidmet ist, immer auf der Suche nach neuen Lösungen, um den Gebrauch der hergestellten Geräte, die von der Technik, dem Aussehen und der Ergonomie her besonders gepflegt sind, so einfach wie möglich zu machen: unter den zahlreichen Nice Produkten wird Ihr Installateur bestimmt das für Sie richtige gewählt haben.

Nice ist aber nicht der Hersteller Ihrer Automatisierung, ein Ganzes, das sich aus Analysen, Bewertungen, Auswahl der verschiedenen Teile und Durchführung der Anlage durch Ihren Vertrauensinstallateur ergibt.

Jede Automatisierung ist einzigartig, und nur Ihr Installateur besitzt die Erfahrung und Professionalität, die notwendig sind, um eine Anlage auszuführen, die Ihrem Bedarf entspricht, sicher und dauerhaft zuverlässig, und vor allem fachgerecht gemacht, d.h. den gültigen Vorschriften entsprechend.

Eine Automatisierungsanlage ist bestimmt bequem, aber auch ein wertvolles Sicherheitssystem, und mit wenigen, einfachen Maßnahmen dauert sie lange Jahre.

Auch wenn Ihre Automatisierung den Sicherheitsanforderungen der Vorschriften gerecht wird, ist dadurch das Vorhandensein eines "Restrisikos" nicht ausgeschlossen. Damit ist gemeint, dass Gefahren auftreten können, die normalerweise durch einen verantwortungslosen oder sogar falschen Gebrauch verursacht werden. Aus diesem Grund möchten wir Ihnen ein paar Ratschläge geben, wie man sich verhalten soll, um dies zu vermeiden:

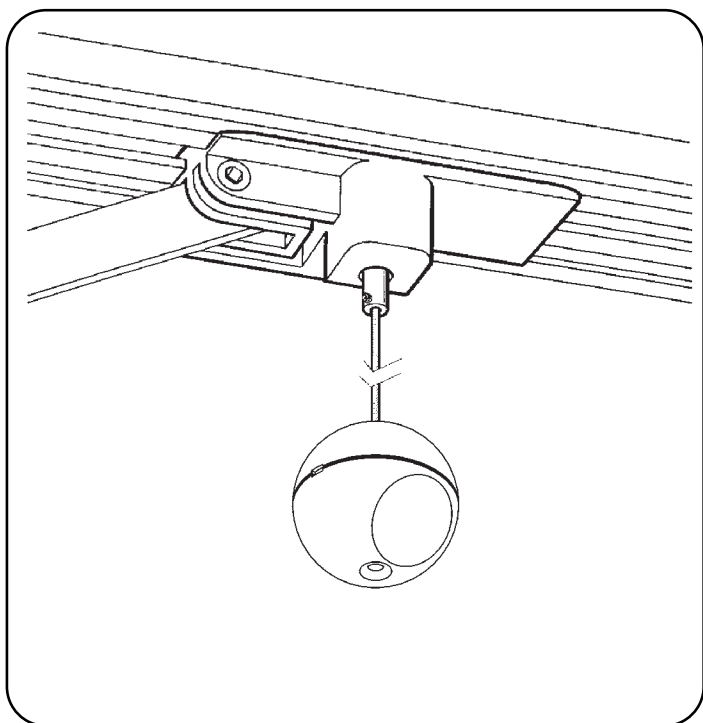
- **Lassen Sie sich vom Installateur die Restrisiken erklären**, bevor Sie Ihre Automatisierung zum ersten Mal verwenden. Widmen Sie den Anweisungen und Hinweisen für den Benutzer, **die Ihnen von Ihrem Installateur übergeben werden**, ein paar Minuten Ihrer Zeit. Bewahren Sie die Anweisungen für zukünftige Zweifel auf und übergeben Sie diese einem eventuellen neuen Eigentümer der Automatisierung.
- **Ihre Automatisierung ist ein Gerät, das Ihre Befehle getreu ausführt**; ein verantwortungsloser und unsachgemäßer Gebrauch kann sie gefährlich machen: Bewegungen der Automatisierung sollten Sie besser nicht machen, wenn sich Personen, Tiere oder Gegenstände in ihrem Aktionskreis befinden.

COMPANY  
WITH QUALITY SYSTEM  
CERTIFIED BY DNV  
=ISO 9001/2000=

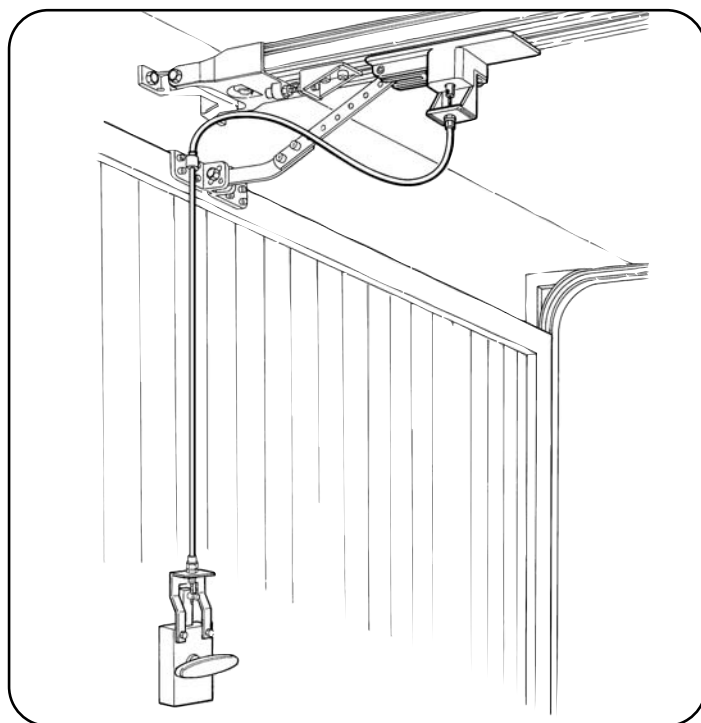


**Nice**

- **Kinder:** eine Automatisierungsanlage gewährleistet ein hohes Sicherheitsniveau, da aufgrund ihrer Regelsysteme keine Bewegung stattfinden wird, wenn Personen oder Gegenstände vorhanden sind, was eine immer vorhersehbare und sichere Aktivierung gewährleistet. Aus Vorsicht ist es aber immer besser, Kindern das Spielen in der Nähe der Automatisierung zu verbieten und die Fernbedienungen nicht in ihrer Reichweite zu lassen: **die Automatisierung ist kein Spielzeug!**
- **Störungen.** Schalten Sie die Stromversorgung zur Anlage ab, sobald Sie ein nicht normales Verhalten der Automatisierung bemerken, und entriegeln Sie das Tor von Hand. Versuchen Sie nicht, selbst Reparaturen auszuführen, überlassen Sie diese Ihrem Vertrauensinstallateur: in der Zwischenzeit, nachdem Sie den Toröffner wie später beschrieben entriegelt haben, kann die Anlage wie ein nicht automatisiertes Tor funktionieren.
- **Wartung.** Wie jedes Gerät bedarf Ihre Automatisierung einer regelmäßigen Wartung, damit sie so lange wie möglich und vollkommen sicher funktionieren kann. Vereinbaren Sie mit Ihrem Installateur einen Wartungsplan mit periodischer Häufigkeit; Nice empfiehlt bei normalem Gebrauch im Haushalt eine Wartung alle 6 Monate, diese Zeit kann sich aber je nach Verwendung ändern. Kontrollen, Wartungs- und Reparaturarbeiten dürfen nur von Fachpersonal ausgeführt werden.
- Auch wenn Sie nach Ihrer Meinung wissen, wie man es macht, sollten Sie Änderungen der Anlage und der programmierten Parameter und Regelungen der Automatisierung unterlassen: diese Verantwortung steht Ihrem Installateur zu.
- Die Endprüfung, die regelmäßigen Wartungen und die eventuellen Reparaturen müssen vom Ausführenden dokumentiert sein, und diese Dokumente muss der Eigentümer der Anlage aufbewahren.
- **Entsorgung.** Versichern Sie sich, dass die Automatisierung am Ende ihrer Lebensdauer von Fachpersonal abgerüstet wird und dass die Werkstoffe gemäß den örtlich gültigen Vorschriften rückgewonnen oder entsorgt werden.
- **Sollte die Automatisierung beschädigt oder nicht mit Strom versorgt sein,** warten Sie auf den Eingriff Ihres Installateurs (oder bis der Strom wieder vorhanden ist, falls die Anlage keine Pufferbatterie hat). Sie können Ihr Tor trotzdem öffnen, wie wenn es ohne Automatisierung wäre. Dazu müssen Sie den Toröffner entriegeln. Die Entriegelungsvorrichtung, die als einziges Teil der Automatisierung vom Benutzer selbst betätigt werden kann, wird von Nice mit besonderer Sorgfalt hergestellt, da wir Ihnen immer einfachste Betätigung ohne Gebrauch von Werkzeugen oder körperlichen Anstrengungen gewährleisten wollen.



Den Kugelgriff nach unten ziehen und das Tor von Hand betätigen.



Den Griff drehen und das Tor von Hand betätigen.

**⚠ Die manuelle Betätigung darf ausschließlich bei stehendem Tor ausgeführt werden und nachdem die Versorgungsspannung zur Steuerung abgeschaltet worden ist.**

**Wichtig:** falls Ihre Anlage mit einer Fernbedienung ausgestattet ist, die nach einiger Zeit schlechter oder gar nicht funktioniert, so könnte das einfach von der Batterie abhängen (je nach Batterietyp, kann dies nach mehreren Monaten, sogar nach zwei oder drei Jahren der Fall sein). Dass die Batterie fast leer ist, werden Sie am Bestätigungsleuchtmelder merken, der immer weniger oder nur ganz kurz aufleuchtet. Versuchen Sie, die Batterie mit der eines anderen, funktionierenden Senders auszutauschen, bevor Sie sich an Ihren Installateur wenden: es genügt gegebenenfalls, die Batterie mit einer gleichen Typs auszutauschen.

**Sind Sie zufrieden?** Wenden Sie sich an den gleichen Installateur und an Nice, falls Sie eine weitere Automatisierung in Ihr Haus einbauen wollen – Sie werden sich dadurch die Beratung eines Fachmanns und die hoch entwickeltesten Produkte auf dem Markt zusichern, neben optimalem Betrieb und maximaler Kompatibilität der verschiedenen Automatisierungen.

Wir danken Ihnen, dass Sie diese Ratschläge gelesen haben und wünschen Ihnen maximale Zufriedenheit mit Ihrer neuen Anlage: für jeden gegenwärtigen oder zukünftigen Bedarf können Sie sich mit Vertrauen an Ihren Installateur wenden.

# spido

Índice:	pág.		pág.		
<b>1</b>	Descripción del producto	26	<b>4</b>	Ensayo	28
<b>2</b>	Instalación	26	<b>5</b>	Mantenimiento	28
<b>2.1</b>	Controles preliminares	26	<b>5.1</b>	Desguace	28
<b>2.2</b>	Límites de empleo	26	<b>6</b>	Características técnicas	28
<b>2.3</b>	Instalación típica	27		<b>Instrucciones y advertencias destinadas al usuario del motorreductor SPIDO</b>	29
<b>2.4</b>	Instalación SPIDO	27			
<b>2.5</b>	Configuración de la varilla de transmisión	27			
<b>2.6</b>	Introducción de las correderas de fin de carrera	27			
<b>3</b>	Maniobra manual desde adentro o desbloqueo	28			

## Advertencias importantes

Nice les agradece por haber elegido este producto y les invita a leer con mucha atención estas páginas.

Para simplificar el uso de estas instrucciones, hemos tratado de compaginarlas respetando el orden con que se deben ejecutar las diferentes etapas de instalación del equipo.

Es necesario leer con atención las instrucciones y el fascículo adjunto "Advertencias para el instalador" antes de proceder con la instalación, puesto que suministran indicaciones importantes acerca de la seguridad, instalación, uso y mantenimiento.

Todo aquello que no está previsto expresamente en estas instrucciones no está permitido; en efecto, usos no indicados en las instrucciones podrían ser fuentes de averías para el producto y poner en peligro las personas o cosas.

Nice no se asume ninguna responsabilidad por la inobservancia de la buena técnica en la fabricación de las puertas seccionales, o por deformaciones que se podrían producir durante el uso.

No instale el producto en lugares con riesgo de explosión.

Este producto ha sido diseñado y fabricado para automatizar puertas que se pueden abrir manualmente y que estén bien equilibradas; por ello, la puerta se debe poder abrir completamente con una fuerza inferior a 150N (15 kg) y detenerse en cualquier posición; accionado el desbloqueo, no debe tender a bajar. Está prohibido tocar cualquier componente mecánico (cadena, carro, piñón, etc.) durante el funcionamiento.

## 1) Descripción del producto

SPIDO es un actuador electromecánico para la automatización de puertas seccionales y basculantes con contrapesos y de muelles. Gracias al perfil único, permite una instalación sencilla y veloz. La central eléctrica utiliza el sistema amperimétrico para medir la fuerza desarrollada por el motor, ofreciendo la posibilidad de elegir la sensibilidad entre 5 niveles. La maniobra manual es una operación sencilla y segura que desconecta la puerta del carro de arrastre.

## 2) Instalación

### 2.1) Controles preliminares

Antes de proceder con cualquier motorización, controle que la estructura sea adecuada, es decir, conforme a las normas vigentes; controle especialmente que:

la puerta no tenga puntos de fricción tanto durante el cierre como durante la apertura;

el movimiento de la puerta no requiera una fuerza superior a 150N (15 kg);

la puerta esté bien equilibrada, es decir que al detenerse en cualquier posición, no tienda a moverse;

el movimiento de la puerta sea silencioso, regular y no se bambolee;

la zona en donde se fijará el motorreductor permita una maniobra manual de desbloqueo fácil y segura;

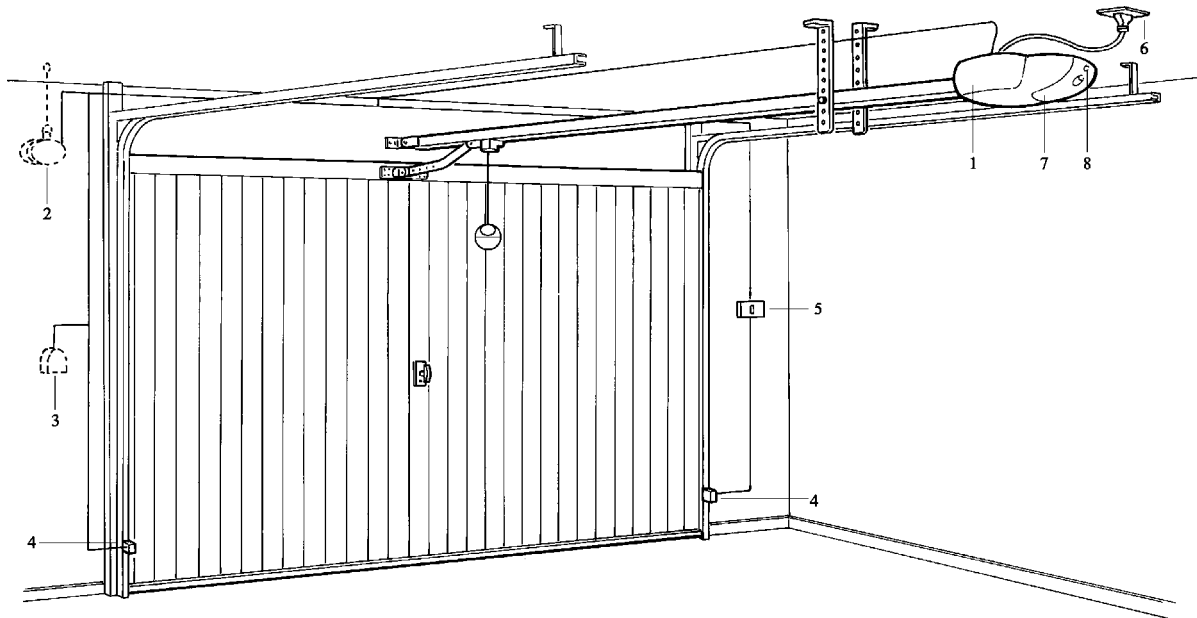
recuerde que SPIDO debe motorizar una puerta (seccional, basculante con contrapeso o de muelles) eficiente y segura y no compensa defectos causados por una instalación incorrecta o por un mantenimiento mal hecho;

el paquete esté íntegro, refiérase a la **fig. 1**;

la zona de sujeción sea compatible con las dimensiones del motorreductor, refiérase a la **fig. 2**;

la **fig. 3** muestra una instalación típica de SPIDO.

### 2.2) Instalación típica



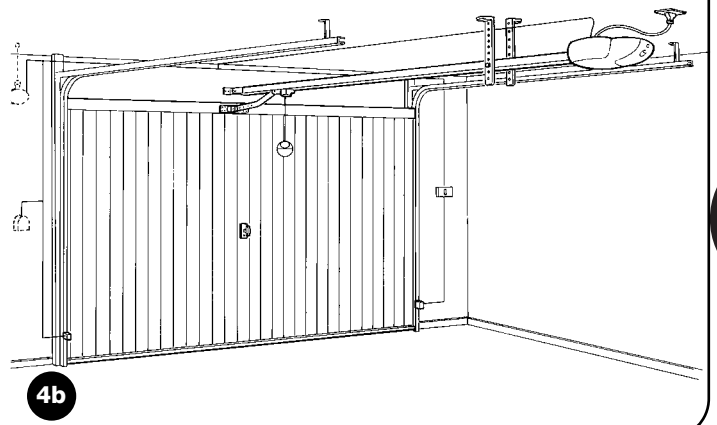
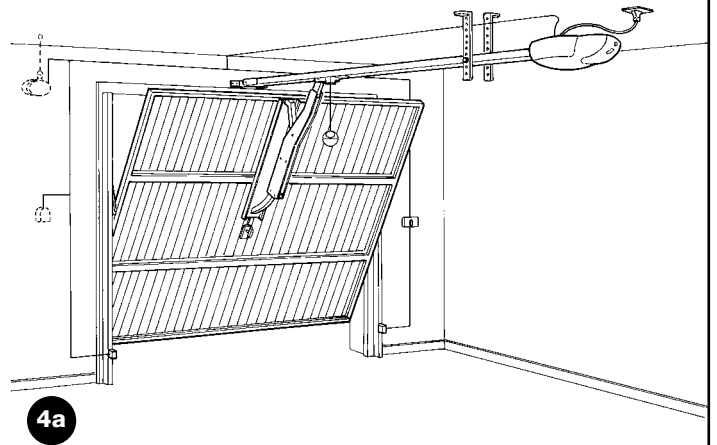
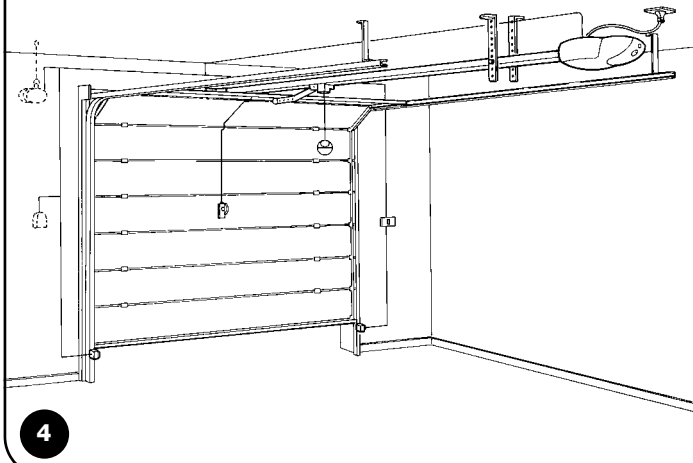
1. SPIDO
2. Luz intermitente 24Vcc
3. Selector de teclado digital
4. Par de fotocélulas
5. Botonera interior
6. Tomacorriente Schuco
7. Bombilla 24V 25W máx.
8. Botón "Paso a Paso"

## 2.3) Límites de empleo

Puerta seccional (H máx. = 2400 mm) **(fig. 4)**

Puerta basculante con contrapesos (H máx. = 2400 mm) **(fig. 4a)**

Puerta basculante de muelles (H máx. = 2600 mm) **(fig. 4b)**



E

## 2.4) Instalación SPIDO

1. Ensamble la varilla de arrastre (27) con la varilla curva (61) **(fig. 5)**;
2. Haga pasar un extremo de la cuerda (24) por el agujero no roscado del perno de desbloqueo y emparéjelo con el otro extremo;
3. Haga un nudo con los dos extremos tras haberlos pasado por el agujero del tirador (25).
4. Introduzca el estribo soporte de guía (32) en la transmisión tensor de cadena y fíjelo con el tornillo (48) y con la tuerca (17) **(fig. 6)**;
5. Introduzca la corredera (23) en el extremo del perfil **(fig. 7)**;
6. Introduzca los tornillos (35) en las dos ranuras del perfil **(fig. 8)**;
7. Introduzca el perfil, haciendo pasar la cadena por el piñón del motor y bloquéelo con el estribo (33) con dos tornillos (44) **(fig. 9)**;
8. Tense ligeramente la cadena **(fig. 10)**;
9. Fije SPIDO al bastidor de la puerta (elección aconsejada) o bien a la pared con remaches o tacos, manteniendo una distancia comprendida entre 30 mm y 350 mm de la carrera máxima de la puerta **(fig. 11)**;
10. Controle las medidas para el taladrado, introduzca y bloquee los estribos de sostén (18) y fije SPIDO al techo. Corte la parte excedente de los estribos **(Fig. 12)**.

## 2.5) Configuración de la varilla de transmisión

Para poder regular milimétricamente la maniobra de cierre, actúe sobre la varilla de transmisión con una llave de 10 mm, aflojando los pernos y regulando la carrera con los dos agujeros, o si fuera necesario, desenroscando completamente los pernos y cambiando la posición de sujeción **(fig. 13)**.

**⚠ Apriete hasta el fondo las conexiones de tornillo.**

## 2.6) Introducción de las correderas de fin de carrera

**⚠ Las correderas de fin de carrera se deben introducir con el motor detenido.**

Para la sujeción de las correderas de fin de carrera siga cuanto descrito en las instrucciones de la "central eléctrica".

### 3) Maniobra manual desde adentro o desbloqueo

**⚠ La maniobra manual se debe realizar sólo con la puerta detenida y tras haber cortado la alimentación a la central eléctrica.**

1. Tire del tirador hacia abajo y mueva la puerta manualmente (**fig. 14**);
2. Gire la manilla y actúe sobre la puerta manualmente (**fig. 15**).

### 4) Ensayo

El ensayo de toda la instalación tiene que ser efectuado por personal experto y cualificado, que deberá hacerse cargo de los ensayos requeridos, según el riesgo presente. Para probar SPIDO, siga este procedimiento:

- cierre la puerta;
- corte la alimentación;
- desbloquee el motorreductor;
- controle que la carrera de deslizamiento sea perfecta y no tenga puntos de fricción;
- abra con la mano la puerta completamente, asegurándose de ejercer un esfuerzo siempre inferior a 150N (15 kg);
- controle que la puerta durante el movimiento no tenga puntos de fricción;
- controle que la puerta, detenida en cualquier posición y desbloqueada, no tienda a caerse;
- controle que los sistemas de seguridad estén en buenas condiciones;
- controle que las conexiones de tornillo estén bien apretadas;
- controle que la tensión de la cadena y su deslizamiento sean correctos, si fuera necesario, lubríquela.
- concluya los controles bloqueando nuevamente el motorreductor y conectando la central;
- regule la sensibilidad amperimétrica (desde la central electrónica) de manera que logre mover sólo la puerta;
- mida la fuerza de impacto, como previsto por las normativas EN 12453 y EN 12445.

### 5) Mantenimiento

SPIDO no requiere trabajos de mantenimiento especiales. Un control programado, cada seis meses como mínimo, garantiza una mayor duración y un funcionamiento correcto y seguro del sistema.

Sólo personal cualificado puede llevar a cabo el mantenimiento. **El mantenimiento consiste en repetir el procedimiento de ensayo.**

#### 5.1) Desguace

SPIDO está formado de varios tipos de materiales. El desguace de dichos materiales se debe efectuar respetando las normas locales vigentes.

En el caso de desguace de la automatización, no existen peligros o riesgos particulares causados por la misma automatización. Si se debe realizar una recogida selectiva, es oportuno separar los materiales por tipo (piezas eléctricas, aluminio, plástico, etc.).

### 6) Características técnicas

		SP6000 230V ~	SP6000 110V ~
Alimentación	(Vca)	230	110
Absorción de corriente	(A)	0,65	1,3
Potencia máxima absorbida	(W)	150	
Velocidad	(m/s)	0,15	
Carrera (Y)	(mm)	2500	
Empuje máx.	(N)	650	
Tracción máx.	(N)	700	
Temp. de servicio	(°C)	-20 ÷ +50	
Ciclos de trabajo	(%)	30	
Peso del motor (con perfil)	(kg)	12	
Grado de Protección	(IP)	40	



**motorreductor para puertas  
seccionales y puertas basculantes  
con contrapesos y de muelles**



# spido

## Instrucciones y advertencias destinadas al usuario del motorreductor SPIDO

¡**Felicitaciones** por haber elegido un producto de automatización Nice!

Nice S.p.A. fabrica componentes para la automatización de cancelas, puertas, persianas y toldos: motorreductores, centrales de mando, radiomandos, luces intermitentes, fotocélulas y accesorios.

Nice emplea sólo materiales de calidad y, es su vocación buscar soluciones innovadoras que simplifiquen al máximo el empleo de sus aparatos, con soluciones técnicas, estéticas y ergonómicas muy estudiadas: en la vasta gama de productos Nice, su instalador habrá elegido sin dudas el producto más adecuado a sus exigencias.

Sin embargo, Nice no es el fabricante de su automatización, que en cambio es una obra de análisis, elección de los materiales y realización de la sistema realizada por su instalador de confianza.

Cada automatización es única y sólo su instalador posee la experiencia y profesionalidad necesarias para ejecutar una instalación según sus exigencias, segura y confiable en el tiempo, y, sobre todo, según las reglas del arte, de acuerdo con las normativas vigentes.

Una instalación de automatización es una comodidad además de un sistema de seguridad válido y, con pocas y simples soluciones, está destinada a durar por mucho tiempo.

Aunque si su automatización cumple con el nivel de seguridad requerido por las normas, no queda excluida la posibilidad de un "riesgo residual", es decir, la posibilidad de que se puedan producir situaciones peligrosas, causadas generalmente por un uso inconsciente o incorrecto; por dicho motivo, deseamos darle algunos consejos sobre el comportamiento que hay que tener para evitar inconvenientes:

- **Antes de usar por primera vez la automatización**, pida explicaciones al instalador sobre el origen de los riesgos residuales, y dedique algunos minutos a la lectura del **manual de instrucciones y advertencias para el usuario** que le ha entregado el instalador. Conserve el manual para cualquier duda que pueda tener en un futuro y para entregarlo junto con la automatización en caso de reventa.
- **Su automatización es una máquina que sigue fielmente sus mandos**; un uso inconsciente e inadecuado puede volverla peligrosa: no accione el movimiento de la automatización si en su radio de acción hay personas, animales o cosas.

COMPANY  
WITH QUALITY SYSTEM  
CERTIFIED BY DNV  
=ISO 9001/2000=



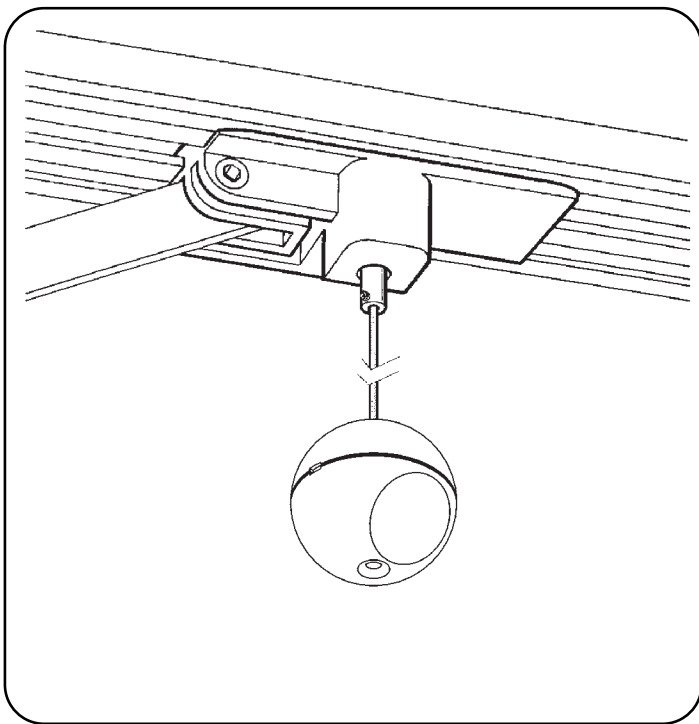
**Nice**



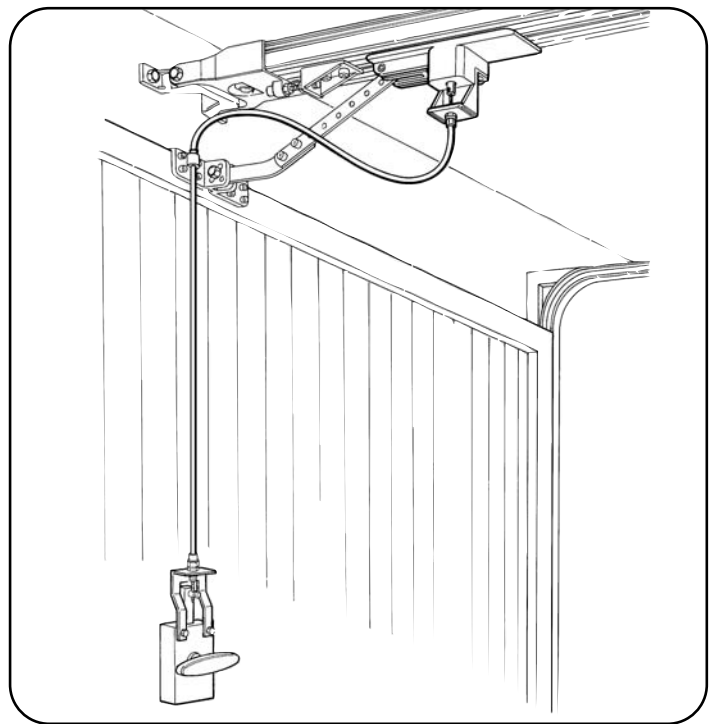
- **Niños:** una instalación de automatización garantiza un elevado grado de seguridad, impidiendo, con sus sistemas de detección, el movimiento ante la presencia de personas o cosas, así garantizando una activación siempre previsible y segura. De todas maneras, es prudente prohibir a los niños jugar cerca de la automatización y, para evitar activaciones involuntarias, no deje el control remoto al alcance de ellos: **¡no es un juguete!**
- **Irregularidades.** Si bien note algún comportamiento irregular de la automatización, corte la alimentación eléctrica de la instalación y realice el desbloqueo manual. No intente repararla por su cuenta, sino que contacte a su instalador de confianza: Mientras tanto, la instalación puede funcionar como una puerta no automatizada cuando se desbloquea el motorreductor como descrito más adelante.
- **Mantenimiento.** Como toda maquinaria, su automatización requiere un mantenimiento periódico para que pueda funcionar por el mayor tiempo posible y con total seguridad. Estipule con su instalador un plan de mantenimiento periódico; Nice le aconseja realizar un mantenimiento cada 6 meses para un uso residencial normal, pero este período puede variar de acuerdo con la intensidad de uso. Cualquier trabajo de control, mantenimiento o reparación debe ser

llevado a cabo por personal cualificado.

- Aunque si Ud. considera que lo sabe hacer, no modifique la instalación ni los parámetros de programación y regulación de la automatización: la responsabilidad es de su instalador.
- El ensayo final, los trabajos de mantenimiento periódicos y las posibles reparaciones tienen que ser documentados por quien los efectúa y dichos documentos deben quedar en poder del dueño de la instalación.
- **Desguace.** Al final de la vida útil de la automatización, asegúrese de que el desguace sea efectuado por personal cualificado y que los materiales sean reciclados o eliminados de acuerdo con las normas locales vigentes.
- **En caso de roturas o falta de alimentación.** Mientras espera que llegue el instalador (o retorne la energía eléctrica, si la instalación no está equipada con baterías compensadoras), la instalación se puede accionar como una puerta no automatizada. A tal fin, es necesario realizar el desbloqueo manual; dicha operación, que es la única que puede ser efectuada por el usuario de la automatización, ha sido estudiada profundamente por Nice para asegurarle siempre un uso fácil, sin necesidad de herramientas o esfuerzos físicos.



Tire del tirador hacia abajo y mueva la puerta manualmente.



Gire la manilla y actúe sobre la puerta manualmente.

**⚠ La maniobra manual se debe realizar sólo con la puerta detenida y tras haber cortado la alimentación a la central eléctrica.**

**Importante:** si su instalación está equipada con un radiomando que, transcurrido un cierto tiempo, le parece que no funcionara correctamente, o que directamente no funciona, podría ser que la pila esté agotada (pueden pasar desde varios meses hasta dos o tres años según el tipo de pila). Ud. podrá darse cuenta de que la batería está agotada porque la luz del indicador luminoso de confirmación de la transmisión es débil, no se enciende, o se enciende por poco tiempo. Antes de contactar al instalador, pruebe a cambiar la pila con la de otro transmisor que funcione; si el problema fuera este, sustituya la pila con otra del mismo tipo.

**¿Está Ud. satisfecho?** Si desea instalar en su casa un sistema de automatización nuevo, diríjase al instalador y a Nice: tendrá la garantía de recibir el asesoramiento de un especialista y los productos más modernos del mercado, el mejor funcionamiento y la máxima compatibilidad de las automatizaciones.

Le agradecemos por haber leído estas recomendaciones y esperamos que Ud. esté satisfecho de su nueva instalación: ante cualquier necesidad, diríjase a su instalador de confianza.



# spido

Spis	pag.		pag.		
<b>1</b>	Opis produktu	32	<b>4</b>	Próby odbiorcze	34
<b>2</b>	Instalowanie	32	<b>5</b>	Czynności konserwacyjne	34
<b>2.1</b>	Wstępna kontrola	32	<b>5.1</b>	Zbyt	34
<b>2.2</b>	Urządzenie typowe	32	<b>6</b>	Dane techniczne	34
<b>2.3</b>	Zakres zastosowania	33		<b>Instrukcje i ostrzeżenia dla użytkownika motoreduktora SPIDO.</b>	35
<b>2.4</b>	Instalowanie Spido	33			
<b>2.5</b>	Ustawianie pręta transmisji	33			
<b>2.6</b>	Zakładanie suwaków wyłączników krańcowych	33			
<b>3</b>	Ruch ręczny od wewnątrz i odblokada	34			

PL

## Ważne uwagi:

Nice gratuluje wyboru produktu i zaprasza do uważnego przeczytania poniższych stron.

Aby ułatwić czytelnikowi użytkowanie niniejszej instrukcji została ona napisana według kolejności faz instalowania urządzenia. Należy uważnie przeczytać instrukcje i broszurkę załączoną: "Uwagi dla instalatora", przed przystąpieniem do czynności instalowania, ponieważ dostarczają ważne wskazówki związane z bezpieczeństwem, instalowaniem, użytkowaniem i czynnościami konserwacyjnymi.

To co nie jest przewidziane w poniższych instrukcjach nie jest dozwolone.

Właśnie, użytkowanie nie wskazane w poniższych instrukcjach może stać się źródłem stworzenia szkód w produkcie i stworzyć sytuacje niebezpieczne dla osób i rzeczy.

Nice nie jest odpowiedzialny za brak przestrzegania profesjonalności w wykonaniu drzwi sekcyjnych jak i za deformacje, które mogłyby się stworzyć podczas użytkowania.

Nie wolno instalować w pomieszczeniu z atmosferą wybuchową.

Ten produkt został zaprojektowany i wykonany do automatyzacji drzwi, które można otworzyć nawet ręcznie, z dobrym wyważeniem, dlatego też drzwi powinno się otwierać na cały bieg z siłą mniejszą od 150N (15kg) i z zatrzymaniem w jakiegokolwiek pozycji, przy wyłączeniu blokady, nie powinny w żadnym stopniu wznieść się czy obniżyć.

Zabronione jest dotykane jakiegokolwiek części mechanicznej (łańcuch, wózek, koło zębate, podczas funkcjonowania).

## 1) Opis produktu

SPIDO jest aktuatorem elektromechanicznym do automatyzacji bram garażowych sekcyjnych, na przeciwcieżar i ze sprężynami. Ze względu na pojedynczy profil jest łatwy i szybki do zainstalowania.

Centrala elektryczna używa system amperometryczny do odczytu siły wytworzonej w silniku oferując możliwość wyboru czułości pomiędzy 5 poziomami. Ruch ręczny jest czynnością prostą i pewną, który wyłącza silnik od wózka ciągnego.

## 2) Instalowanie

### 2.1) Wstępna kontrola

Przed przystąpieniem do wykonywania jakiegokolwiek czynności należy sprawdzić, czy struktura jest odpowiednia, to znaczy czy jest zgodna z aktualnymi normami.

Sprawdzić przede wszystkim:

czy drzwi nie posiadają punktów tarcia podczas otwierania i zamykania;

ruch drzwi nie wymaga siły wyższej od 150N (15kg);

czy drzwi są dobrze wyważone, to znaczy, że kiedy zostaną zatrzymane w jakiegokolwiek pozycji nie poruszają się;

czy drzwi, podczas biegu, są ciche, regularne i nie wychodzą z linii;

miejsce przeznaczone na zainstalowanie motoreduktora jest odpowiednie na wykonanie ruchu odblokady w sposób łatwy i bezpieczny;

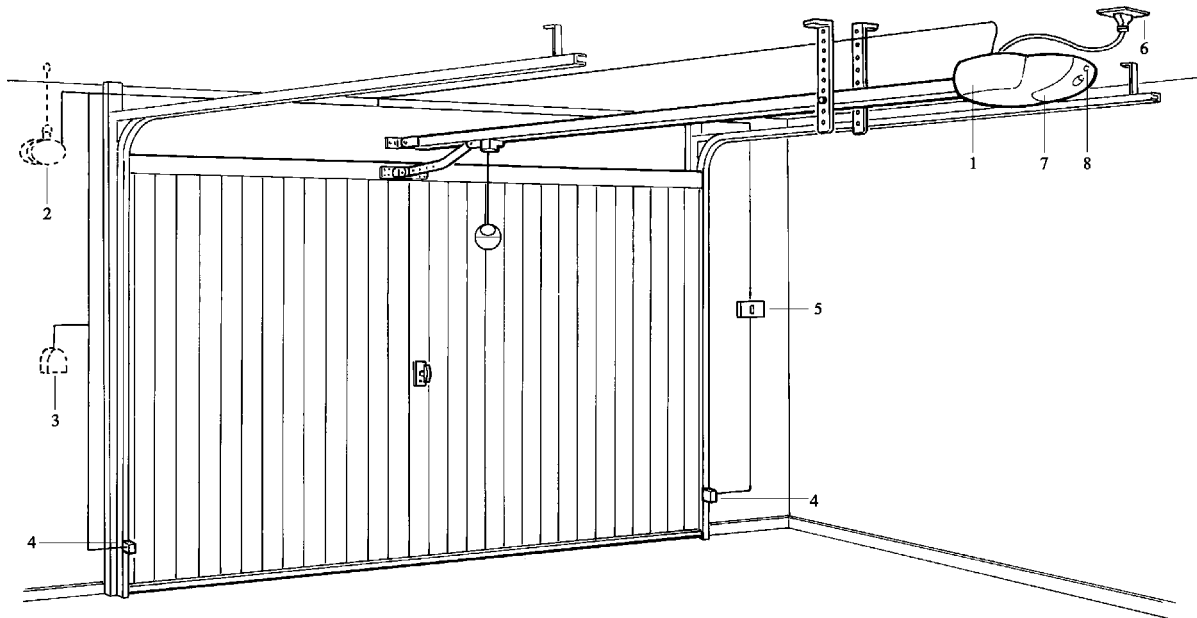
przypomina się, że SPIDO służy do napędu drzwi i bram garażowych (sekcyjnych wahadłowych na przeciwcieżar i na sprężyny) pewnie i skutecznie a nie naprawiać wad stworzonych złym zainstalowaniem lub nieprawidłowymi czynnościami konserwującymi;

opakowanie powinno być w stanie integralnym, według **fig. 1**;

według **fig. 2** sprawdzić czy miejsce przeznaczone na instalowanie jest odpowiednie z wymiarami motoreduktora.

**Fig. 3** wskazuje urządzenie typowe motoreduktora SPIDO.

### 2.2) Typowe urządzenie



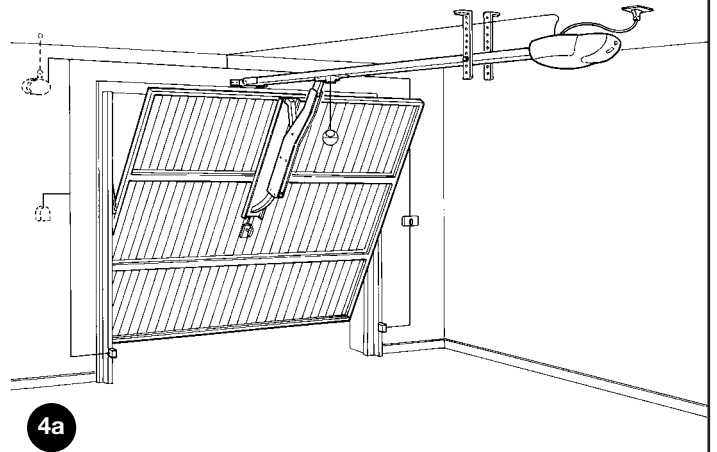
1. SPIDO
2. Lampa sygnalizacyjna
3. Selektor numeryczny
4. Para fotokomórek
5. Pulpit przycisków wewnętrzny
6. Gniazdo sufitowe
7. Lampka 24 V 25 W max.
8. Przycisk "Skok po Skoku".

### 2.3) Zakres zastosowania:

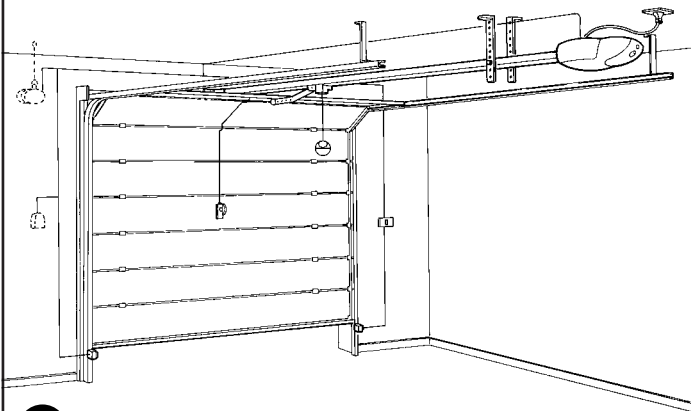
Drzwi garażowe sekcyjne (H max = 2400 mm) (Fig. 4)

Drzwi garażowe wahadłowe na przeciwcieżar (H max = 2400 mm) (Fig.4a)

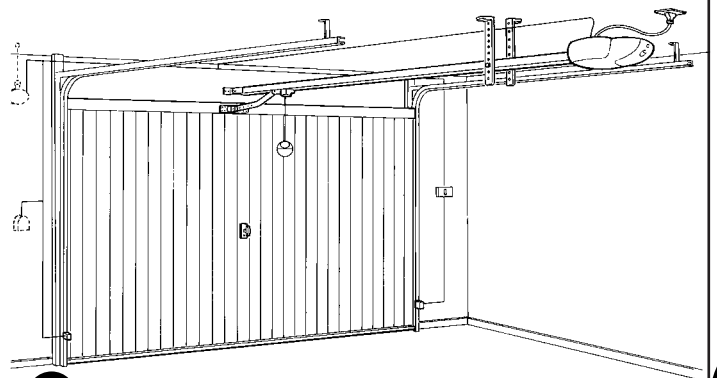
Drzwi garażowe wahadłowe na sprężyny (H max = 2600 mm) (Fig. 4b)



4a



4



4b

PL

### 2.4) Mocowanie SPIDO

1. Przyłączyć pręt ciągną (27) z krzywym prętem (61) (Fig. 5);
2. Przeciagnąć linę (24) przez otwór nie gwintowany sworznia odblokady i wyrównać z drugą końcówką;
3. Związać dwie końcówki razem po przecignięciu ich przez otwór pokrętła (25);
4. Założyć drążek nośny prowadnicy (32) do przekładni napinania łańcucha i przykręcić śrubami (48) i nakrętką (17) (Fig. 6);
5. Wsunąć suwak (23) do końcówki profilu (Fig. 7);
6. Włożyć śruby (35) do dwóch otworów w profilu (Fig. 8);
7. Założyć profil przeciągając łańcuch poza kołem zębatym silnika i zablokować drążkiem (33) dwoma śrubami (44) (Fig. 9);
8. Lekko naciągnąć łańcuch (Fig. 10);
9. Przymocować SPIDO do stelaża drzwi (wybór polecany) lub do ściany kołkami rozporowymi utrzymując odległość od 30 do 350 mm od maksymalnego biegu drzwi. (Fig. 11);
10. Sprawdzić wymiary na otwory, włożyć i zablokować kolumny wspornikowe (18) i przymocować SPIDO do sufitu. Obciąć nadmiar kolumn (Fig. 12).

### 2.5) Ustawianie pręta transmisji

Aby osiągnąć regulację milimetrową w ruchu otwierania należy wykonać regulację pręta transmisji kluczem 10 mm, odkręcić więc śruby i uregulować bieg dwoma oczkami i gdy jest to konieczne odkręcić całkowicie śruby i zmienić pozycję mocowania (Fig. 13).

**⚠ Przykręcić do oporu wszystkie łącza śrubowe.**

### 2.6) Zakładanie suwaka wyłącznika krańcowego.

**⚠ Zakładanie wyłączników krańcowych ma odbyć się, tylko, przy wyłącznym silniku.**

Mocowanie suwaków wyłącznika krańcowego ma odbyć się według wskazówek w instrukcjach "centrali elektrycznej".

### 3) Ruch ręczny od wewnątrz i odblokada

**⚠ Ruch ręczny ma odbyć się tylko wtedy gdy drzwi nie są uaktywnione i po odcięciu zasilenia do centrali elektrycznej.**

1. Przekręcić pokrętkę w kierunku do dołu i wykonać cykl ruchu drzwi ręcznie (**Fig. 14**);
2. Przekręcić uchwyt i wykonać cykl ruchu drzwi ręcznie (**Fig. 15**).

### 4) Próby ostateczne

Próby ostateczne całego urządzenia mają być wykonane przez personel doświadczony i wykwalifikowany, który będzie odpowiedzialny za wykonane próby przy obecności niebezpieczeństwa. Próby ostateczne SPIDO należy wykonać według poniższej procedury:

- zamknąć drzwi;
- odciąć napięcie;
- odblokować motoreduktor;
- sprawdzić czy szyny przesuwu są czyste i wolne;
- otworzyć ręcznie drzwi na całość i sprawdzić czy wysięk jest niższy od 150N (15kg);
- sprawdzić czy drzwi podczas ruchu nie mają punktów tarcia;
- sprawdzić czy zatrzymane drzwi w jakimkolwiek punkcie nie poruszają się (nie schodzą);
- sprawdzić czy systemy bezpieczeństwa są w dobrym stanie;
- sprawdzić czy połączenia śrubowe są zamknięte do oporu;
- sprawdzić napięcie łańcucha i jego przesuw jest dobry i czy nie wymaga nasmarowania;
- po zakończeniu prób odblokować motoreduktor i podłączyć zasilenie do centrali;
- wyregulować (w centrali elektronicznej) czułość amperometryczną do takiego stopnia aby poruszał, tylko i wyłącznie, drzwi;
- zmierzyć siłę uderzeni, i czy odpowiada normom EN12445 e EN12453.

### 5) Czynności konserwacyjne

SPIDO nie wymaga specjalnych interwencji podczas całego jego życia, czynności konserwacyjne okresowe, co najmniej co 6 miesięcy, gwarantują długie życie jak i pewną i bezpieczną funkcjonalność systemu.

Tylko personel wykwalifikowany może wykonać powyższe czynności.

**Czynności konserwacyjne polegają na powtórzeniu procedury prób ostatecznych.**

#### 5.1) Zbyt

SUMO zbudowany jest z różnych rodzajów surowców, które muszą być zbyte we właściwy sposób.

W wypadku demontażu automatyzmu nie istnieją szczególnie niebezpieczne sytuacje ani ryzyka związane z tą automatyzacją. Należy, w wypadku zbytu zróżnicowanego odpadów, poinformować się o sposobach przerobu lub zbytu dzieląc materiał według typologii (części elektryczne, aluminium, plastyka, itp.)

### 6) Dane techniczne

		SP6000 230V ~	SP6000 110V ~
Zasilenie	(Vpp)	230	110
Absorpcja linii	(W)	0,65	1,3
Moc maksymalna	(A)	150	
Prędkość	(m/s)	0,15	
Bieg Y	(N)	2500	
Pchnięcie max	(mm)	650	
Trakcja max	(N)	700	
Temperatura pracy	(°C)	-20 ÷ +50	
Cykl pracy	(%)	30	
Waga silnika (z profilem)	(kg)	12	
Stopień zabezpieczenia	(IP)	40	



motoreduktor elektromechaniczny  
do drzwi sekcyjnych i  
wahadłowych na sprężyny i na  
przeciwciężar



# spido<sup>PL</sup>

## Instrukcje i ostrzeżenia przeznaczone dla użytkownika motoreduktorów SPIDO

**Gratulacje** za wybranie do Waszej automatyki produktu Nice!

Nice S.p.A. produkuje elementy do automatyzacji bram, drzwi, rolet, zasłon przeciwsłonecznych: motoreduktory, centrale sterowania, sterownie radiowe, migacze, fotokomórki oraz osprzęt.

Nice wykorzystuje materiały i obróbkę wysokiej jakości, a poprzez poszukiwania rozwiązań innowacyjnych, które do maximum upraszczają korzystanie z urządzeń, wyszukiwanych rozwiązaniach technicznych, estetycznych, ergonomicznych: w całej gamie Nice. Wasz instalator z pewnością dokona wyboru produktu najbardziej odpowiadającego Waszym wymaganiom.

Nice jednakże nie jest producentem Waszej automatyzacji, która jest natomiast wynikiem analizy, oceny, wyboru materiałów i wykonania urządzenia przez Waszego zaufanego instalatora.

Każda automatyzacja jest jedyna i tylko Wasz instalator posiada doświadczenie i konieczny profesjonalizm do wykonania urządzenia zgodnie z Waszymi wymaganiami, pewnie i niezawodnie jednocześnie, a przede wszystkim zgodnie ze sztuką odpowiadającą obowiązującym normom.

Urządzenie automatyzacji, poza ważnym systemem bezpieczeństwa, jest doskonałą wygodą, i ze względu na niektóre proste rozwiązania jest przeznaczone na wieloletnie działanie.

Nawet, gdy automatyzacja, której jesteście posiadaczami satysfakcjonuje poziom bezpieczeństwa wymagany normami, nie wyklucza to jednak istnienia "cienia ryzyka", tzn. możliwości powstania niebezpiecznych sytuacji, zazwyczaj wynikających z lekkomyślnego lub wręcz błędnego użytkownika. Z tego też powodu pragniemy udzielić Wam niektórych rad, jak należy postępować, by uniknąć jakichkolwiek błędów:

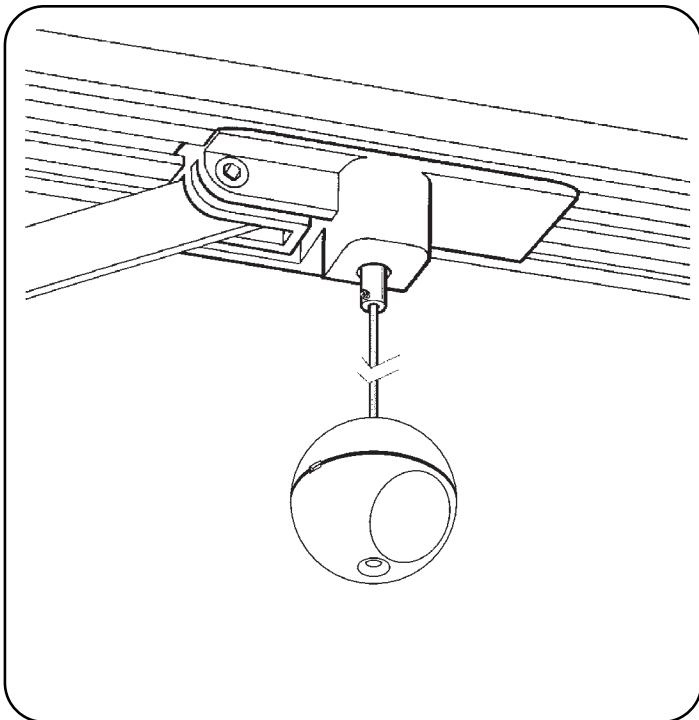
- **Przed pierwszym użyciem automatyki** należy skorzystać z poleceń instalatora związanych z istniejącym niebezpieczeństwem i poświęcić kilka minut na lekturę, dostarczonej przez instalatora **instrukcji obsługi i ostrzeżenia podczas użytkowania**. Zachowajcie instrukcję na włąpności w przyszłości, oraz przekazcie ją ewentualnemu przyszłemu właścicielowi automatyki.
- Wasza automatyzacja jest urządzeniem, które dokładnie wykona wasze polecenia; użycie lekkomyślne lub niewłaściwe może stać się niebezpieczne: nie sterujcie ruchu automatyki, jeśli w zasięgu działania znajdują się osoby, zwierzęta lub rzeczy.

COMPANY  
WITH QUALITY SYSTEM  
CERTIFIED BY DNV  
=ISO 9001/2000=

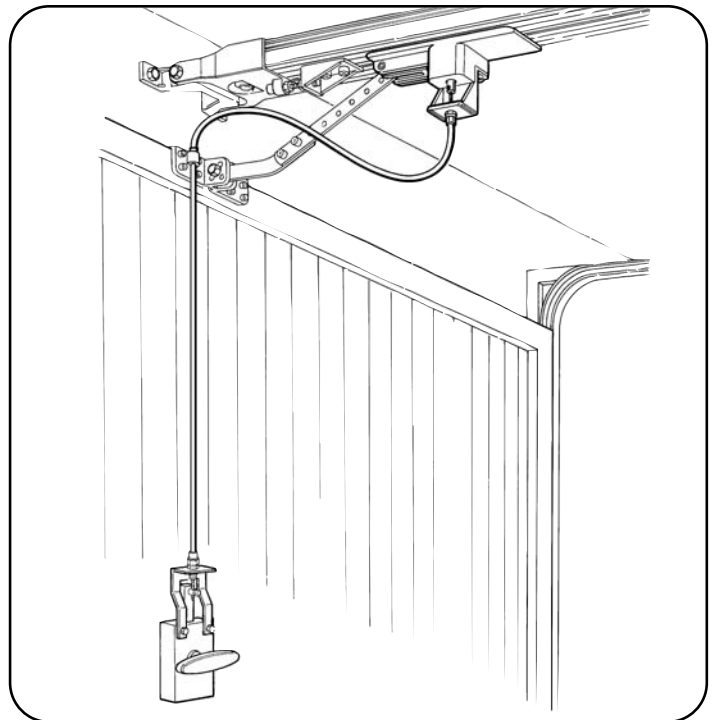


<sup>®</sup> Nice

- **Dzieci:** urządzenie automatyzacji gwarantuje wysoki stopień bezpieczeństwa, zawierający systemy, które nie pozwalają na uruchomienie w przypadku obecności osób lub rzeczy. W każdym razie roztropnie jest zabronić dzieciom bawić w pobliżu automatyzacji, oraz by uniknąć przypadkowego uruchomienia nie zostawiać pilota w ich zasięgu: **to nie jest zabawka!**
- **Anomalie.** Jak tylko zauważycie jakiegokolwiek nieprawidłowe działanie automatyki, odłączcie zasilanie elektryczne urządzenia i odblokujcie mechanizm ręczny. Nie próbujcie sami napraw, ale żądajcie interwencji Waszego zaufanego instalatora: w między czasie urządzenie może działać nie automatycznie, z odblokowanym motoreduktorem, jak opisano powyżej.
- **Czynności konserwacyjne.** Jak każde urządzenie, Wasza automatyzacja, by jak najdłużej i całkowicie bezpiecznie mogła funkcjonować, wymaga okresowych czynności konserwacyjnych. Uzgodnijcie z Waszym instalatorem okresowy program tych czynności: Nice doradza, przy normalnym, domowym użytkowaniu, wykonania kontroli co 6 miesięcy, okres ten może być inny w zależności od intensywności użycia. Jakakolwiek interwencja kontrolna, serwisowa czy naprawcza musi być przeprowadzona przez personel kwalifikowany.
- Także w przypadku, gdy uważacie, że znacie się na tym, nie modyfikujcie urządzenia i parametrów programowania oraz regulacji automatyzacji: odpowiedzialność spoczywa na Waszym instalatorze.
- Końcowa kolaudacja, serwisy okresowe i ewentualne naprawy muszą być udokumentowane przez wykonującego, a dokumenty przechowywane u właściciela urządzenia.
- **Zbyt.** Po całkowitym zużyciu się automatyzacji, zbyt ma być wykonany osoby wykwalifikowane a materiały poddane recyklingowi lub zbyt zgodnie z aktualnie obowiązującymi normami lokalnymi.
- **W przypadku popsucia lub braku zasilania.** Czekając na interwencję Waszego instalatora (lub powrót dopływu energii elektrycznej, jeśli urządzenie nie jest wyposażone w baterie rezerwowe), urządzenie może działać, jak każde inne, otwierając się w sposób nie automatyczny. By to zrobić, należy wykonać odblokowanie ręczne: ta czynność jest jedyną, która może być wykonana przez użytkownika automatyzacji. Ta funkcja jest szczególnie dopracowana przez Nice tak, aby zagwarantować Wam zawsze najłatwiejsze użytkowanie automatyzacji, bez wykorzystywania jakichkolwiek narzędzi czy wysiłku fizycznego.



Przekręcić pokręteł w kierunku do dołu i wykonać cykl ruchu drzwi ręcznie.



Przekręcić uchwyt i wykonać cykl ruchu drzwi ręcznie.

**⚠ Ruch ręczny ma odbyć się tylko wtedy gdy drzwi nie są uaktywnione i po odcięciu zasilania do centrali elektrycznej.**

**Ważne:** Jeśli wasze urządzenie jest wyposażone w sterowanie radiowe, które po jakimś czasie wydaje Wam się, że działa gorzej lub nie działa zupełnie, może to zależeć od zwyczajnego wyczerpania się baterii (w zależności od typu, może ona wyczerpać się po kilku miesiącach jak i po dwóch/trzech latach). Możecie to stwierdzić faktem, że światelko potwierdzające transmisję jest słabe, nie zapala się wcale, lub zapala się tylko na krótko. Przed udaniem się do instalatora, spróbujcie wymienić baterię na tę z drugiego przekaźnika ewentualnie działającego: gdy będzie to powodem anomalii, wystarczającym będzie wymienić na baterię tego samego typu

**Jesteście zadowoleni?** W przypadku, gdybyście chcieli w Waszym domu zastosować dodatkowo nowe urządzenie automatyzacji, udajcie się do tego samego instalatora a Nice zagwarantuje Wam, wraz z konsultacją specjalisty, produkty najbardziej innowacyjne spośród produktów na rynku, pod względem funkcjonowania i z maksymalną kompatybilnością automatyzacji.

Dziękujemy Wam za przeczytanie tych zaleceń oraz życzymy Wam największego zadowolenia z Waszego nowego urządzenia: na jakiegokolwiek zapotrzebowanie, dzisiejsze lub w przyszłości udajcie się z zaufaniem do Waszego instalatora.

# Dichiarazione CE di conformità / EC declaration of conformity

(secondo Direttiva 98/37/EC, Allegato II, parte C) (according to 98/37/EC Directive, Enclosure II, part C)

Numero /Number: 144/SP6000 Data / Date: 01/2001

Revisione / Revision: 0

## Il sottoscritto Lauro Buoro, Amministratore Delegato, dichiara che il prodotto:

The undersigned Lauro Buoro, General Manager, declares that the product:

**Nome produttore / Producer name:** NICE s.p.a.  
**Indirizzo / Address:** Via Pezza Alta 13, 31046 Z.I. Rustignè - ODERZO - ITALY  
**Tipo / Type:** Motoriduttore a traino "SPIDER" per azionamento di portoni sezionali e basculanti "SPIDER" electromechanical gear motor for sectional and up-and-over doors  
**Modello / Model:** SP6000  
**Accessori / Accessories:** Ricevente radio mod. SMXI/mod. SMXI radio receiver

## Risulta conforme a quanto previsto dalle seguenti direttive comunitarie / Complies with the following community directives

Riferimento n° Reference n°	Titolo Title
73/23/CEE, 93/68/CEE	DIRETTIVA BASSA TENSIONE e successiva modifica/ Low Voltage Directive and subsequent modification
89/336/CEE	DIRETTIVA COMPATIBILITA' ELETTROMAGNETICA (EMC) / EMC Electromagnetic Compatibility Directive
98/37/CE (EX 89/392/CEE)	DIRETTIVA MACCHINE/Machinery Directive

## Risulta conforme a quanto previsto dalle seguenti Norme armonizzate / Complies with the following Harmonised standards

Riferimento n° Reference n°	Edizione Issue	Titolo Title	Livello di valutazione Assessment level	Classe Class
EN60335-1	04/1998	Sicurezza degli apparecchi elettrici d'uso domestico e similare - Norme generali. Safety of household and electrical appliances - General requirements		
EN60204-1	09/1993	Sicurezza del macchinario-Equipag. elettrico delle macchine-Parte 1:Reg.generali Safety of machinery-Electrical equipment of machines-Part 1:General requirements		
EN55022	09/1998	Apparecchi per la tecnologia dell'informazione. Caratteristiche di radiodisturbo. Limiti e metodi di misura Information technology equipment - Radio disturbance characteristics Limits and methods of measurement		B
ENV50204	04/1996	Campo elettromagnetico irradiato dai radiotelefoni numerici - Prova di immunità. Radiated electromagnetic fields from digital radio telephones - Immunity test	10V/m	A
EN61000-3-2-3	03/1995	Parti 2-3: Armoniche/Flicker Parts 2-3: Harmonic/Flicker		A
EN61000-4-2	09/1996	Compatibilità elettromagnetica (EMC) / Electromagnetic compatibility (EMC) Parte 4: Tecniche di prova e di misura / Part 4: Testing and measurement techniques Parte 2: Prove di immunità a scarica elettrostatica Part 2: Electrostatic discharge immunity test	6KV, 8KV	B
EN61000-4-3	11/1997	Parte 3: Prova d'immunità sui campi irradiati a radiofrequenza Part 3: Radiated, radio-frequency, electromagnetic field immunity test	10V/m	A
EN61000-4-4	09/1996	Parte 4: Test sui transienti veloci/ immunità ai burst Part 4: Electrical fast transient/burst immunity test.	2KV, 1KV	B
EN61000-4-5	06/1997	Parte 5: Prova di immunità ad impulsi/Part 5: Surge immunity test	4KV, 2KV	B
EN61000-4-6	11/1997	Parte 6: Immunità ai disturbi condotti, indotti da campi a radiofrequenza Part 6: Immunity to conducted disturbances, induced by radio-frequency fields.	10V	A
EN61000-4-8	06/1997	Parte 8: Prova di immunità a campi magnetici a frequenza di rete Part 8: Power frequency magnetic field immunity test.	30A/m	A
EN61000-4-11	09/1996	Parte 11: Prove di immunità a buchi di tensione, brevi interruzioni e variazioni di tensione Part 11: Voltage dips, short interruptions and voltage variations immunity tests		B-C

## Risulta conforme a quanto previsto dalle altre norme e/o specifiche tecniche di prodotto / Complies with the other standards and/or product technical specifications

Riferimento n° Reference n°	Edizione Issue	Titolo Title
EN 12445	11/2000	Industrial, commercial and garage doors and gates Safety in use of power operated doors - Test methods
EN 12453	11/2000	Industrial, commercial and garage doors and gates afety in use of power operated doors - Requirements

## Per il ricevitore radio SMXI, si dichiara che risulta conforme alle seguenti norme e specifiche tecniche / The SMXI receiver complies with the following technical specifications:

Riferimento n° Reference n°	Edizione Issue	Titolo Title	Livello di valutazione Estimate level	Classe Class
1999/5/CE	1999	DIRETTIVA R&TTE/R&TTE Directive		
EN300683	1997	NORME DI COMPATIBILITA' ELETTROMAGNETICA PER DISPOSITIVI A CORTO RAGGIO TRA 9KHz E 25GHz EMC Standards for Short Range Devices between 9KHz and 25GHz		II
EN300220	1997	APPARATI RADIO E SISTEMI CARATTERISTICHE TECNICHE E METODI DI MISURA PER APPARATI RADIO TRA 25MHz A 1000MHz Radio Equipment and Systems- Short Range Devices-Technical characteristics and test methods for radio equipment between 25MHz and 1000 MHz		I (LPD)
CEPT/ERC 70-03		REGOLAZIONE ALL'USO DEI DISPOSITIVI A CORTO RAGGIO Regulations for the use of short range devices (SRD)		

## Inoltre dichiara che non è consentita la messa in servizio del prodotto suindicato finché la macchina, in cui il prodotto stesso è incorporato, non sia identificata e dichiarata conforme alla direttiva 89/392/CEE

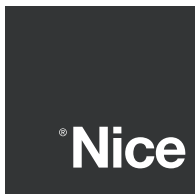
The above-mentioned product cannot be used until the machine into which it is incorporated has been identified and declared to comply with the 89/392/EEC directive.

## Il prodotto suindicato si intende parte integrante di una delle configurazioni di installazione tipiche, come riportato nei nostri cataloghi generali

The above product is an integral part of one of the typical installation configurations as shown in our general catalogues

ODERZO, 18th January 2001

(Amministratore Delegato)  
(General Manager)  
Lauro Buoro



COMPANY  
WITH QUALITY SYSTEM  
CERTIFIED BY DNV  
=ISO 9001/2000=

 **Nice SpA**  
Oderzo TV Italia  
Tel. +39.0422.85.38.38  
Fax +39.0422.85.35.85  
info@niceforyou.com

 **Nice Padova**  
Sarmeola di Rubano PD Italia  
Tel. +39.049.89.78.93.2  
Fax +39.049.89.73.85.2  
info.pd@niceforyou.com

 **Nice Roma**  
Roma Italia  
Tel. +39.06.72.67.17.61  
Fax +39.06.72.67.55.20  
info.roma@niceforyou.com

 **Nice France**  
Buchelay  
Tel. +33.(0)1.30.33.95.95  
Fax +33.(0)1.30.33.95.96  
info@nicefrance.fr

 **Nice Rhône-Alpes**  
Decines Charpieu France  
Tel. +33.(0)4.78.26.56.53  
Fax +33.(0)4.78.26.57.53  
info.lyon@nicefrance.fr

 **Nice France Sud**  
Aubagne France  
Tel. +33.(0)4.42.62.42.52  
Fax +33.(0)4.42.62.42.50  
info.marseille@nicefrance.fr

 **Nice Belgium**  
Leuven (Heverlee)  
Tel. +32.(0)16.38.69.00  
Fax +32.(0)16.38.69.01  
info@nicebelgium.be


 **Nice España Madrid**  
Tel. +34.9.16.16.33.00  
Fax +34.9.16.16.30.10


 **Nice España Barcelona**  
Tel. +34.9.35.88.34.32  
Fax +34.9.35.88.42.49

 **Nice Polska**  
Pruszków  
Tel. +48.22.728.33.22  
Fax +48.22.728.25.10  
info@nice.com.pl

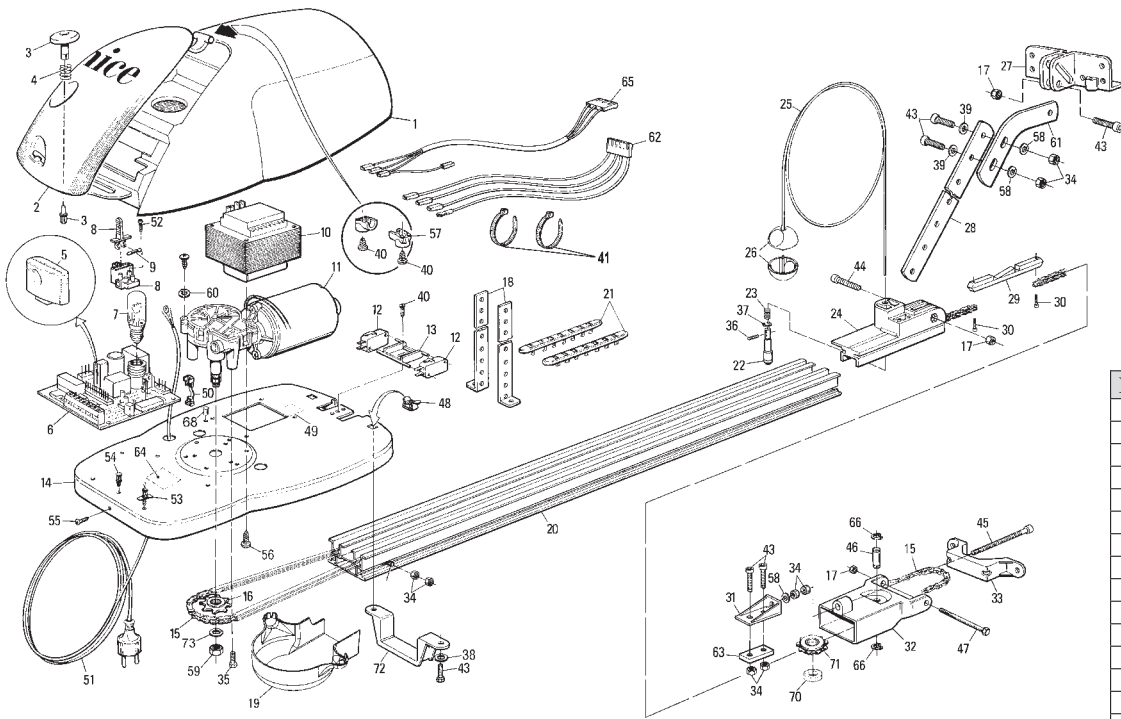
 **Nice China**  
Shanghai  
Tel. +86.21.525.706.34  
Fax +86.21.621.929.88  
info@niceforyou.com.cn

[www.niceforyou.com](http://www.niceforyou.com)

 **Nice Gate** is the doors and gate automation division of Nice

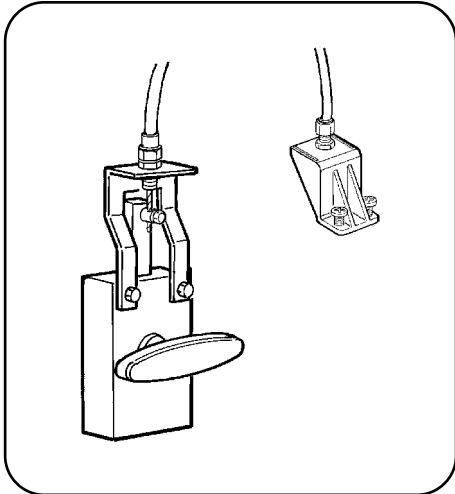
 **Nice Screen** is the rolling shutters and awnings automation division of Nice



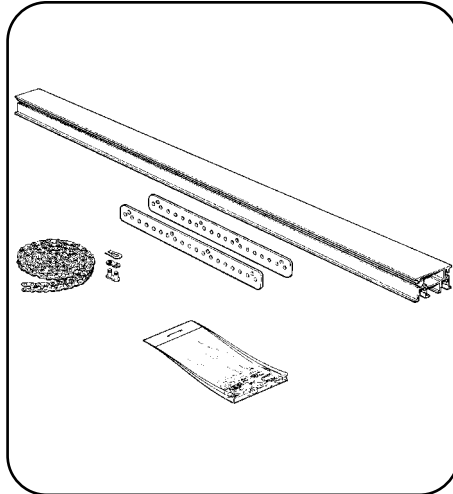


16

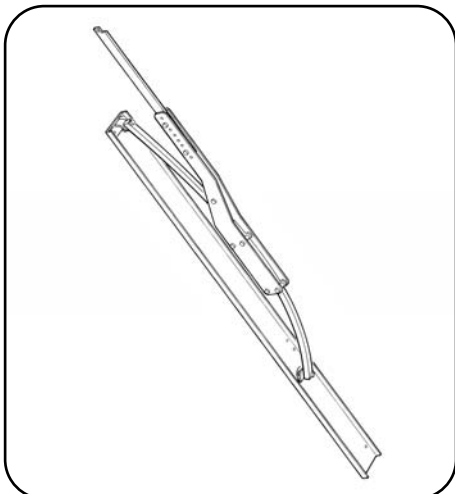
N°	SP6000
1	PPD0124 4540
2	PPD0125 14540
3	PPD0126 4540
4	MO-O 2640
5	SMXIKIT
6	SPA40
7	L7 6811
8	PFM-A 2213
9	F1AR 2201
10	TRA-S6 1025
11	SPA01
12	MICROI-F 1617
13	PPD0171 4540
14	PMD0122 4610
15	PMCC2T 4630
16	PMD0153B 4610
17	D6 5110
18	PMD0152B 4610
19	PPD1061 4540
20	BPA0331A 4565
21	PPD0117 4540
22	PMD0153A 4610
23	MO-I 2640
24	PPD0116 4540
25	PMCCN2 4630
26	PPD1087 4540
27	PMD0554 4540
28	PMD0151 4610
29	PMD0153D 4610
30	V5X14 5102
31	BMESC 4567
32	PPD0296 4540
33	BMESA 4567
34	D6 5102
35	V6X16 5102
36	G5X6 5123
37	PMCSE7 4630
38	R08 5120
39	R06 5120
40	V4.2X9 5101
41	MPFB3 2601
42	
43	V6X18 5102
44	V6X30 5102
45	V6X50 5102
46	PMD0305 4610
47	V6X90 5102
48	D6-G 5110
49	INB-B 4810
50	MPSC 2601
51	CA5 5320
52	V2.9X16 5101
53	MP004 2601
54	MP005 2601
55	V4.8X9.5-A 5101
56	V4.8X16 5101
57	PPD0124 4540
58	R06B 5120
59	D8 5102
60	R05B 5120
61	PMD0151A 4610
62	CA7 5320
63	BMESD 4567
64	
65	CFSP 5320
66	PMCSE8 4630
67	
68	MP006 2601
69	
70	PMCU12E 4630
71	PPD1060 4540
72	BMESB 4567
73	R08A 5120



SPA2



SPA21 (max 2 pz)



SPA5

